

stage




Setting up your
KC-Z1 Controller



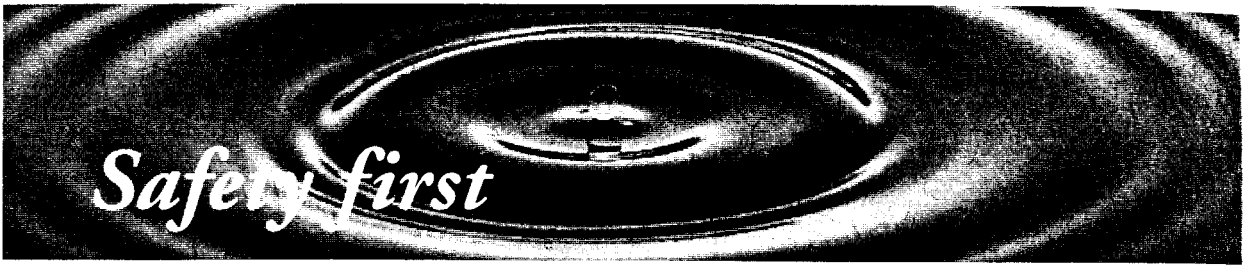
KENWOOD

Licensing

Manufactured under license from Dolby Laboratories Licensing Corporation.

'Dolby', 'Pro Logic', 'AC-3', and the  symbol are trademarks of Dolby Laboratories Licensing Corporation.

Manufactured under license from Lucasfilm Ltd. US patents 5,043,970; 5,189,703; and 5,222,059. Foreign patents pending. 'THX' is a registered trademark, and 'Re-Equalization', 'Decorrelation', and 'Timbre Matching' are trademarks of Lucasfilm Ltd.



WARNING

To prevent fire or electric shock, do not expose this unit to rain or moisture.

CAUTION

To prevent electric shock, match the wide blade of the plug to the wide slot in a wall socket, and insert fully.



CAUTION

To reduce the risk of electric shock, do not remove the unit's cover. There are no user-servicable parts inside. Have the unit serviced by qualified service personnel.

Safety Symbols

We've placed these safety symbols on the back of the unit.



The lightning bolt symbol is to alert you to the danger of electric shock from the operating electric parts inside the unit.



The exclamation point symbol is to let you know that there are important operating and servicing instructions in this manual that you should read before you operate this unit.

About the power supply

This unit is designed for operation in the USA and Canada using a power supply of AC 120 volts only.

Safety Precautions

Read this page carefully to ensure safe operation. Please read all of the safety and operating instructions before operating this unit. Adhere to all warnings on the unit and in this manual. Follow all the safety and operating instructions. These safety and operating instructions should be retained for future reference.

- 1 Power sources.** The unit should be connected to a power supply only of the type described in this manual or as marked on the unit. If you are not sure of the type of power supply to your home, consult your unit dealer or local power company. For units intended to operate from battery power, or other sources, refer to the instruction manual.
- 2 Power-cord protection.** Power supply cords should be routed so that they are not likely to be walked on or pinched by items placed upon or against them, paying particular attention to cords at plugs, convenience receptacles, and the point where they exit from the unit.
- 3 CAUTION—Polarization.** This unit may be equipped with a polarized alternating-current line plug (a plug having one blade wider than the other). This plug will fit into the power outlet only one way. This is a safety feature. If you are unable to insert the plug fully into the outlet, try reversing the plug. If the plug should still fail to fit, contact your electrician to replace your outlet. Do not defeat the safety purpose of the polarized plug.
- 4 Ventilation.** Slots and openings in the cabinet are provided for ventilation and to ensure reliable operation of the unit and to protect it from overheating, and these openings must not be blocked or covered. The unit should be situated so that its location or position does not interfere with its proper ventilation.
 - To maintain good ventilation, do not put records or a table-cloth on the unit. Place the unit at least 4 inches away from the walls.
 - Do not use the unit on a bed, sofa, rug or similar surface that may block the ventilation openings. This unit should not be placed in a built-in installation such as a bookcase or rack unless proper ventilation is provided or the manufacturer's instructions have been adhered to.
- 5 Water and moisture.** The unit should not be used near water; for example, near bathtub, washbowl, kitchen sink, laundry tub, in a wet basement, or near a swimming pool, etc.
- 6 Temperature.** The unit may not function properly if used at extremely low or freezing temperatures. The ideal ambient temperature is above +41°F.
- 7 Heat.** The unit should be situated away from heat sources such as radiators, heat registers, stoves, or other units (including amplifiers) that produce heat.
- 8 Electric Shock.** Care should be taken so that objects do not fall and liquid is not spilled into the enclosure through openings. If a metal object, such as a hair pin or a needle, comes

into contact with the inside of this unit, a dangerous electric shock may result. For families with children, never permit children to put anything, especially metal, inside this unit.

- 9 Enclosure removal.** Never remove the enclosure. If the internal parts are touched accidentally, a serious electric shock might occur.
- 10 Cleaning.** Unplug this unit from the wall outlet before cleaning. Do not use volatile solvents such as alcohol, paint thinner, gasoline, or benzine, etc. to clean the cabinet. Use a clean dry cloth.
- 11 Lightning.** For added protection for this unit during a lightning storm, or when it is left unattended and unused for long periods of time, unplug it from the wall outlet and disconnect the antenna or cable system. This will prevent damage to the unit due to lightning and power-line surges.
- 12 Abnormal smell.** If an abnormal smell or smoke is detected, immediately turn the power OFF and unplug the unit from the wall outlet. Contact your dealer or nearest service center.
- 13 Damage requiring service.**

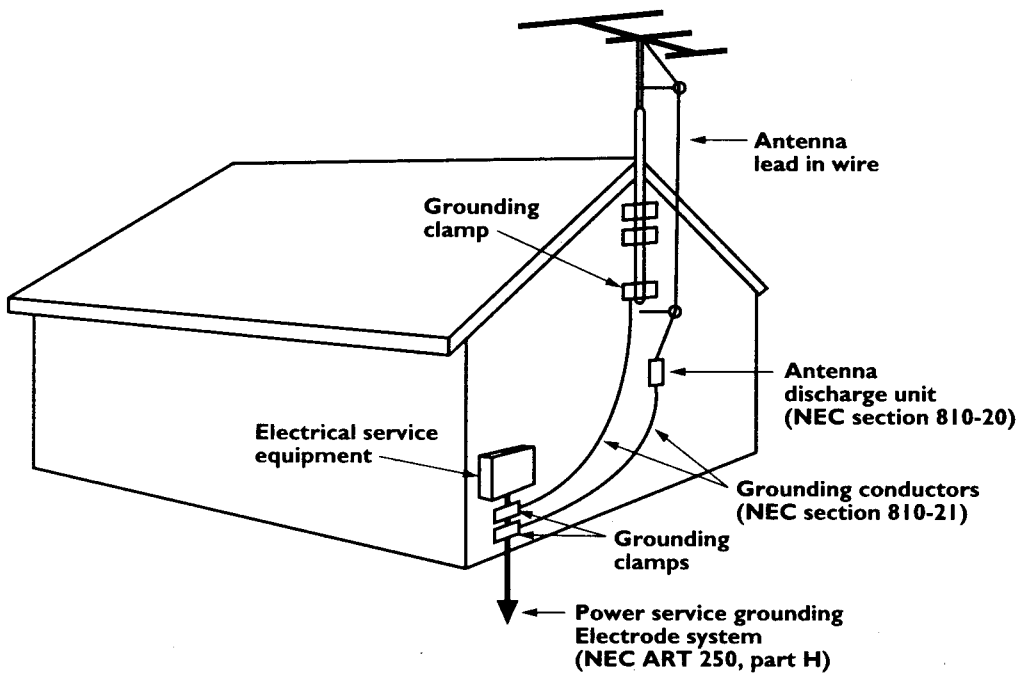
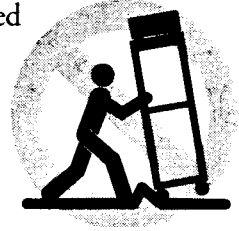
The unit should be serviced by qualified service personnel when:

 - The power-supply cord or the plug has been damaged.
 - Objects have fallen, or liquid has been spilled into the unit.
 - The unit has been exposed to rain or water.
 - The unit has been dropped, or the enclosure damaged.
 - The unit exhibits a marked change in performance.
 - The unit does not appear to operate normally by following the instruction manual.
 - Adjust only those controls that are covered by the instruction manual, as an improper adjustment of other controls may result in damage and will often require extensive work by a qualified technician to restore the unit to its normal operation.
- 14 Servicing.** The user should not attempt to service the unit beyond that described in the instruction manual. All other servicing should be referred to qualified service personnel.
- 15 Power lines.** An outside antenna system should not be located in the vicinity of overhead power lines or other electric light or power circuits, or where it can fall into such power lines or circuits. When installing an outside antenna system, extreme care should be taken to keep from touching such power lines or circuits as contact with them might be fatal.
- 16 AC outlets.** Do not connect other audio equipment with a power consumption larger than that specified to the AC outlet on the rear panel. Never connect other electrical units, such as an iron or toaster, to it to prevent fire or electric shock.
- 17 Overloading.** Do not overload wall outlets, extension cords, or integral convenience receptacles as this can result in a risk of fire or electric shock.
- 18 Attachment.** Do not use attachments not recommended by the unit manufacturer as they may cause hazards.
- 19 Replacement parts.** When replacement parts are required, be sure the service technician has used replacement parts specified by the manufacturer or have the same characteristics as the original parts. Unauthorized substitutions may result in fire, electric shock, or other hazards.
- 20 Safety check.** Upon completion of any service or repairs to this unit, ask the service tech-

nician to perform safety checks to determine that the unit is in proper operating condition.

21 Carts and stands. Don't put this unit on a cart or stand that is unsteady or that can not support the unit's weight. If you move this unit on a cart or stand, be careful—quick stops, excessive force and pushing over or uneven surfaces, may cause the cart to overturn and damage your equipment.

22 Outdoor Antenna Grounding. If an outside antenna is connected to the receiver, be sure the antenna system is grounded to provide some protection against voltage surges and built-up static charges. Section 810 of the National Electrical Code, ANSI/NFPA 70, provides information on the proper grounding of the mast and supporting structure, grounding of the lead-in wire to an antenna discharge unit, size of grounding conductors, location of antenna-discharge unit, connection to grounding electrodes and requirements for the grounding electrode. NOTE: Complies with UL in the U.S.A.



23 TouchPanel. Handle the TouchPanel carefully. Do not drop the TouchPanel or its rechargeable batteries onto a hard surface. If the TouchPanel's LCD screen is damaged or fractured, do not put any of the liquid substance into your mouth. If any of the liquid substance comes into contact with skin or clothing, immediately wash it off with soap and water.

FCC Warning

This equipment may generate or use radio frequency energy. Changes or modifications to this equipment may cause harmful interference unless the modifications are expressly approved in the instruction manual. The user could lose the authority to operate this equipment if an unauthorized change or modification is made.

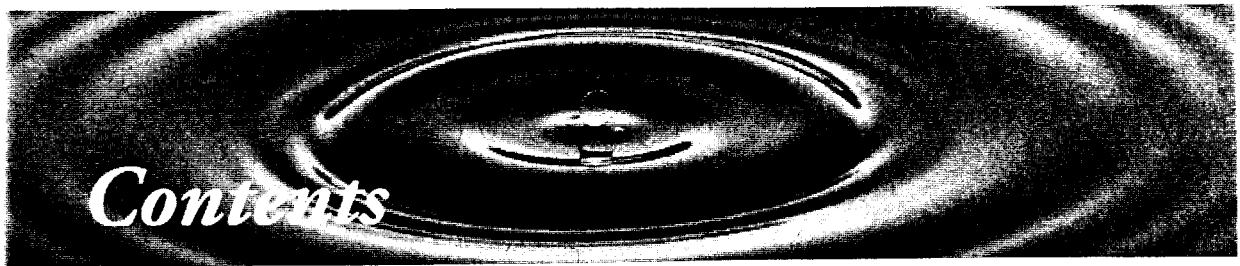
Important

This equipment has been tested and found to comply with the limits for a Class B digital device, pursuant to Part 15 of the FCC Rules. These limits are designed to provide reasonable protection against harmful interference in a residential installation. This equipment may cause harmful interference to radio communications if it is not installed and used in accordance with the instructions. However, there is no guarantee that interference will not occur in a particular installation. If this equipment does cause harmful interference to radio or television reception, which can be determined by turning the equipment OFF and ON, the user is encouraged to try to correct the interference by one or more of the following measures:

- Reorient or relocate the receiving antenna
- Increase the separation between the equipment and receiver
- Connect the equipment into an outlet on a circuit different from that to which the receiver is connected
- Consult the dealer or an experienced radio/TV technician for help

Canadian IC Compliance Notice

This device complies with RSS-210 of Industry Canada. Operation is subject to the following two conditions: (1) this device may not cause interference, and (2) this device must accept any interference, including interference that may cause undesired operation of the device.



Contents

Safety first	3
Contents	8
Unpacking your Stage 3 Controller	10
Did you get everything?	10
In this box you should have	10
You may need to purchase	11
You may also need these tools	11
For your records	11
Welcome	12
STEP 1: Placing the Stage 3 Controller	13
STEP 2: Connecting a power amplifier	14
Connecting a Stage 3 Power Amplifier	14
Connecting any other power amplifier(s)	15
Connecting a secondary power amplifier	16
STEP 3: Connecting your video components	17
About S-video	17
Connecting your VCRs	18
Connecting your laser disc player	19
Connecting your cable or satellite TV tuner	20
Connecting your TV	21
STEP 4: Connecting audio components	22
Connecting your CD player	23
About DVD players	23
Connecting your turntable	24
Connecting your analog tape decks	25
Connecting your MiniDisc recorder	26
Connecting a graphic equalizer	27
STEP 5: Connecting the antennas	28
Using the AM indoor loop antenna	28
Using an AM outdoor antenna	28
Using the FM indoor antenna	29
Using an FM outdoor antenna	29
STEP 6: Connecting components for TouchPanel control	31
Connecting Kenwood components	31
About XS8 components	31
Kenwood SL-16-type components	32
Other components	33

Controlling accessories	34
STEP 7: Turning the power on for the first time	35
STEP 8: Preparing the TouchPanel	36
About the TouchPanel	36
Installing the battery in the TouchPanel	37
Attaching the TouchPanel to the Dock	38
Charging a battery	40
About battery life	41
About the rechargeable batteries	41
STEP 9: Customizing the TouchPanel	42
Calibrating the TouchPanel	43
About the Main menu	44
About the auto-off feature	44
Changing the LCD contrast	45
Creating a set-up security code	46
To turn off the security code	47
If you forget your security code	47
Setting the LCD screen saver	48
Changing the communication channel	49
Setting the time	50
STEP 10: Setting up audio and video components	51
Basic procedure	51
Setting up IR codes	53
Setting up a CD player	55
Setting up a cassette deck	56
Setting up a laser disc player	56
Setting up a mini disc playe	56
Setting up a VCR	57
Setting up a TV	57
Setting up a satellite receiver or cable TV tuner	57
Setting up a turntable	57
STEP 11: Setting up speakers	58
About default settings	58
Setting up the front speakers	59
Setting up the center and surround speakers	60
Setting up the subwoofer	61
Setting the bass limiter	62
STEP 12: Balancing the speaker sound levels	64
Balancing the speaker levels by ear	65
About balancing the subwoofer level	66
Balancing the speaker levels with a sound level meter	66
STEP 13: Setting up DSP Logic	68
Set-up codes	70

Unpacking your Stage 3 Controller

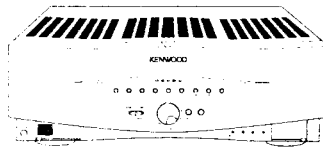
Unpack your Stage 3 Controller carefully and examine it for shipping damage. If it is damaged or fails to operate, notify your dealer immediately. If this product was shipped to you directly, notify the shipping company without delay. Only the person or company who originally received the product can file a claim against the carrier for shipping damage. Keep the original carton and packing materials in case you need to transport or ship your Stage 3 Controller.

Did you get everything?

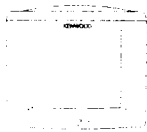
Check the list below to make sure you have everything. And before you start setting up the system, look at the list of tools and other items you'll need.

In this box you should have

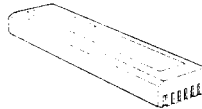
- Stage 3 Controller unit



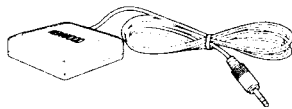
- TouchPanel



- Batteries for TouchPanel (2)



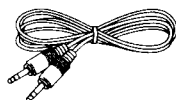
- Infra-Red (IR) Repeater


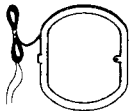
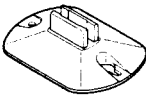
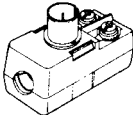


- Audio cables (3)



- System Control cable



- FM indoor antenna 
- AM loop antenna 
- AM loop antenna stand 
- Antenna adaptor 

You may need to purchase:

Audio cables

Video cables

S-Video cables (for TVs with S-Video capability only)

RF modulator (for TVs without video inputs)

Speaker wire (as needed)

You may also need these tools:

Screwdriver (slot and/or Phillips)

Pliers

Wire cutters

Wire strippers

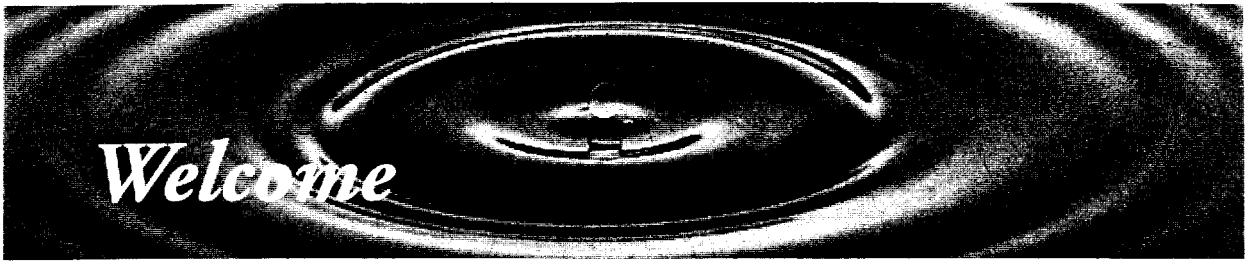
Sound level meter (Radio Shack part #33-2050)

For your records

Record the serial number (found on the back of the unit) on the warranty card, and in the space below. If you need to call your dealer for information or service, you'll need the model and serial number. And be sure to save your original purchase receipt.

Model Number: KC-Z1

Serial Number:



We designed the Stage 3 Controller to totally change the way you operate your audio/video system. And we're sure that Stage 3 will simplify your home entertainment experience.

We've tried to make setting up your system as easy as possible, too. However, since the Stage 3 Controller works with all of your audio and video components, connecting the system can be fairly complex.

This guide is divided into easy-to-follow steps. Some steps are optional, and if they don't apply, just skip ahead to the next step.

Be sure to use these instructions along with those in the manuals for any equipment you're connecting (like CD players, cassette decks, laser disc players, satellite or cable tuners, televisions, amplifiers, equalizers, VCRs or speakers).

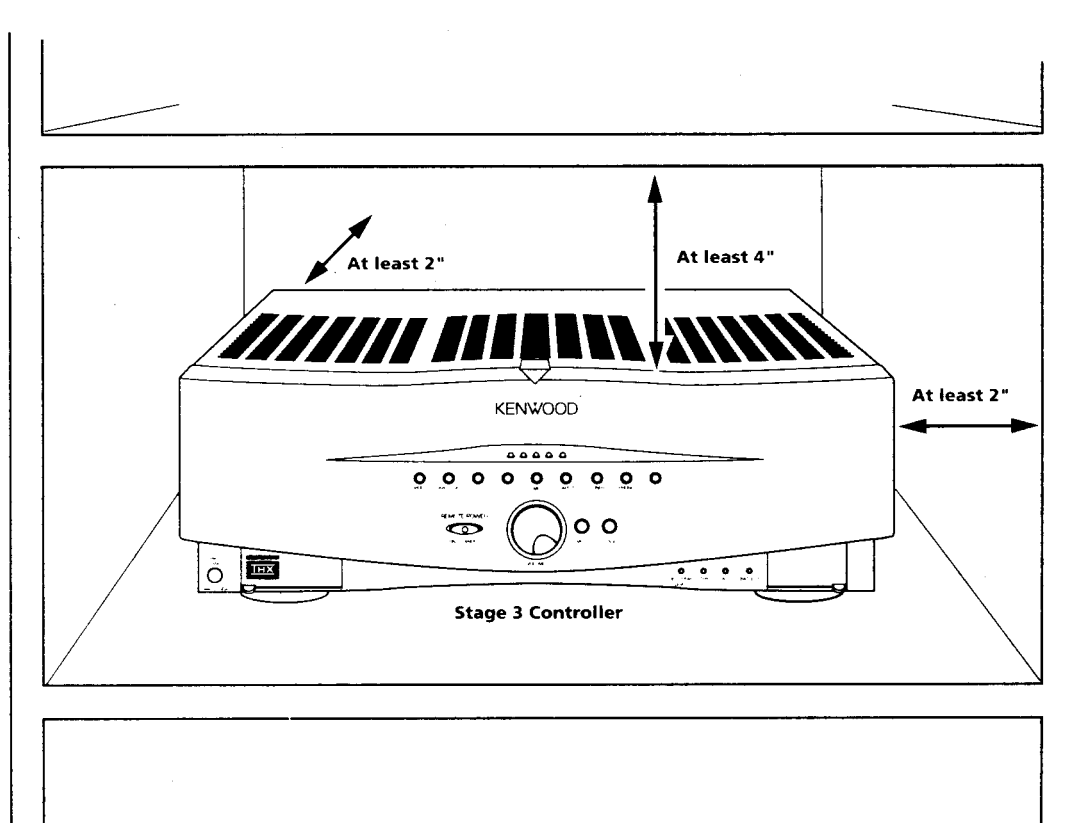
Finally, thanks for purchasing this Stage 3 Controller. We hope it brings you years of music and home theater enjoyment.

Placing the Stage 3 Controller *step*



The Stage 3 Controller can produce a lot of heat, so it's important to allow plenty of ventilation.

- Do not place the Stage 3 Controller directly on top of a heater or a heat-generating component (such as a power amplifier). The heat may prevent the recharging of the TouchPanel batteries.
- Leave at least 4 inches of space above the controller.
- Leave at least 2 inches of space behind, and on each side of the controller.
- If you place the controller inside a stereo rack or cabinet, make sure that you leave the door open slightly while the controller is on.

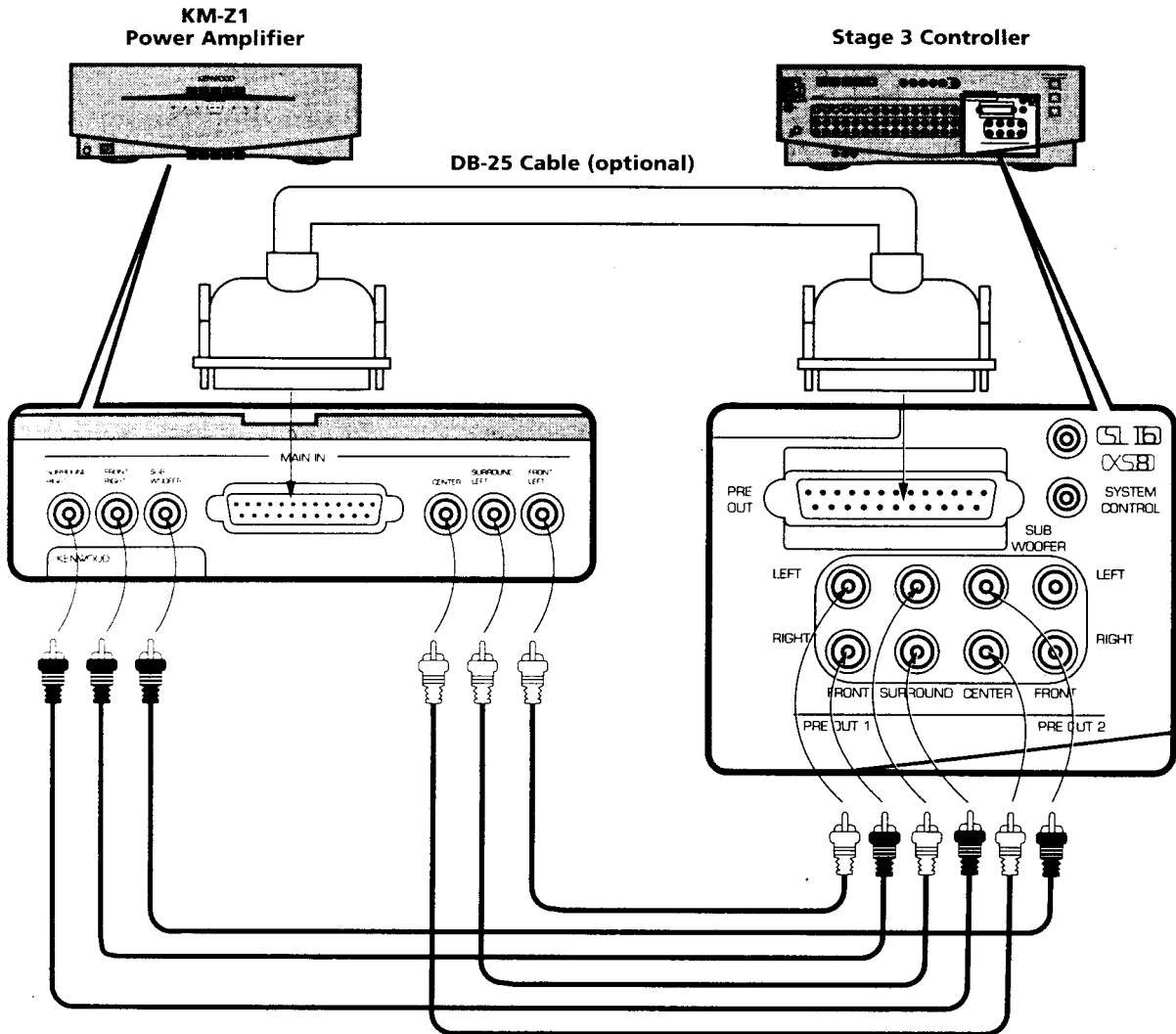


Connecting a power amplifier step 2

Please wait until you've connected all of the cables before plugging the controller into the AC wall outlet and turning it on.

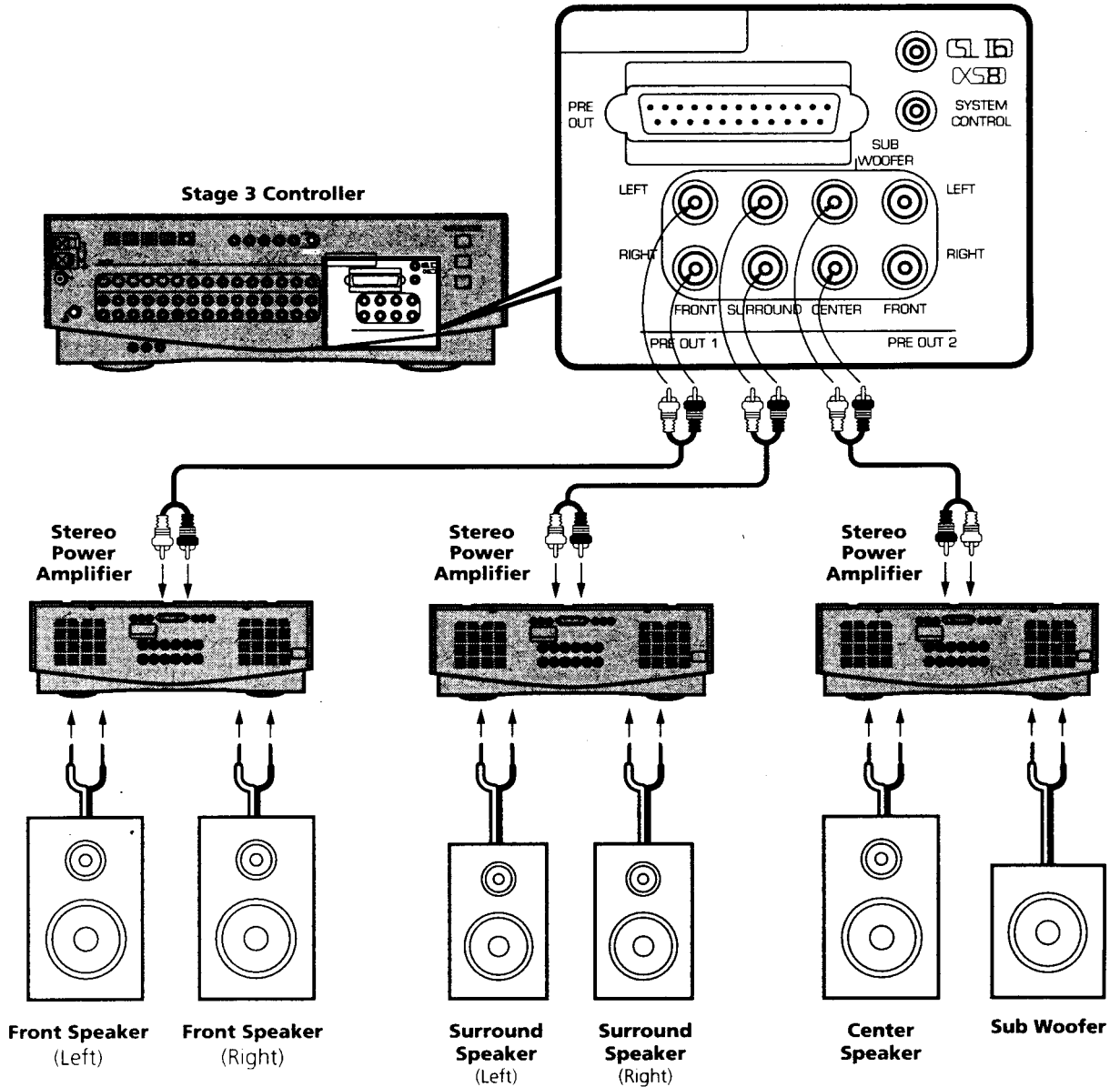
Connecting a Stage 3 Power Amplifier

To connect the Stage 3 Controller to the Stage 3 Amplifier, you can use the 6 cables that come with the amplifier, or use a DB-25 cable you buy yourself. If you decide to use a DB-25 cable, we recommend that you use a shielded DB-25 cable (such as the Monster Cable I-206 HTDB). For more information, contact the dealer where you purchased your Stage 3 Controller. Do not use the DB-25 cable and the individual preout cables at the same time.



Connecting any other power amplifier(s)

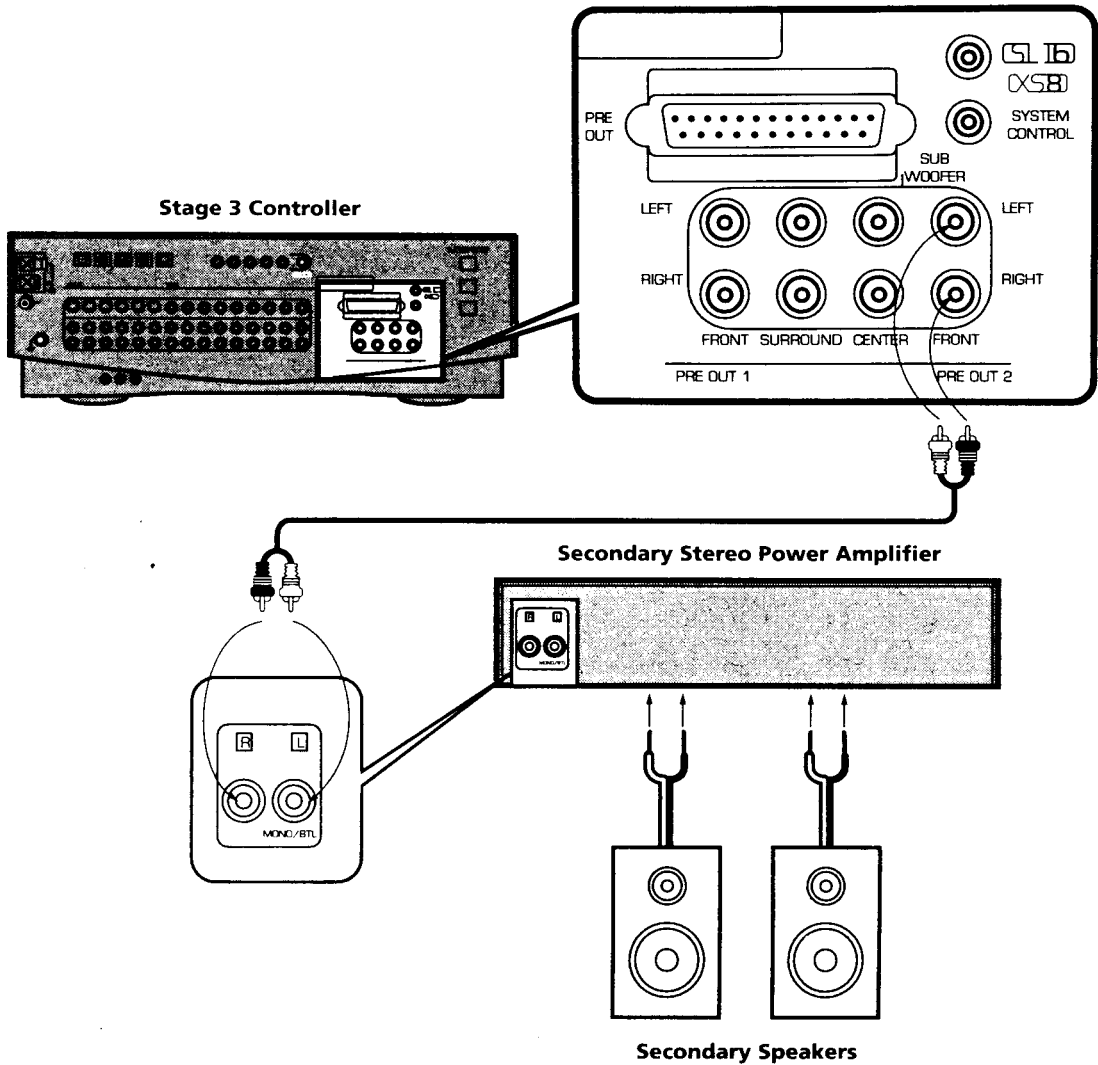
You can use the Stage 3 Controller preout jacks to connect up to 3 amplifiers to drive front, surround, and subwoofer speakers. Using the supplied audio cables, connect the 6 Preout-1 jacks on the Stage 3 Controller to the input jacks on the power amplifier(s). To connect your speakers, refer to the manuals for the power amplifiers and the individual speakers.



Connecting a secondary power amplifier

You can use the Stage 3 Controller's Preout-2 jacks to connect a secondary power amplifier to drive speakers elsewhere in the home. You can adjust the volume of the secondary amplifier and speakers separately from the volume of the main amplifier and speakers. (Refer to *Using your Stage 3 Controller* for instructions on how to adjust the volume level.) Sound will play through the secondary speakers as well as the main speakers. Using a pair of audio cables (not supplied), connect the secondary amplifier to the Stage 3 Controller.

Note: Only sources connected using analog inputs will play through the Preout-2 outputs. Refer to *Using your Stage 3 Controller* for instructions on selecting a source's analog inputs.





Connecting your video components

step

You can connect your television, laser disc player, cable or satellite TV tuner, and up to 3 VCRs to the Stage 3 Controller. Be sure to read the manuals that come with your video components for more instructions.

- Make sure that you connect the plugs firmly, so there's no sound loss or unwanted noise later.
- Whenever you connect or disconnect cables, turn off the power and unplug the power cord from the AC wall outlet to avoid damaging your unit.
- The cables are not included with the Stage 3 Controller.

About S-video

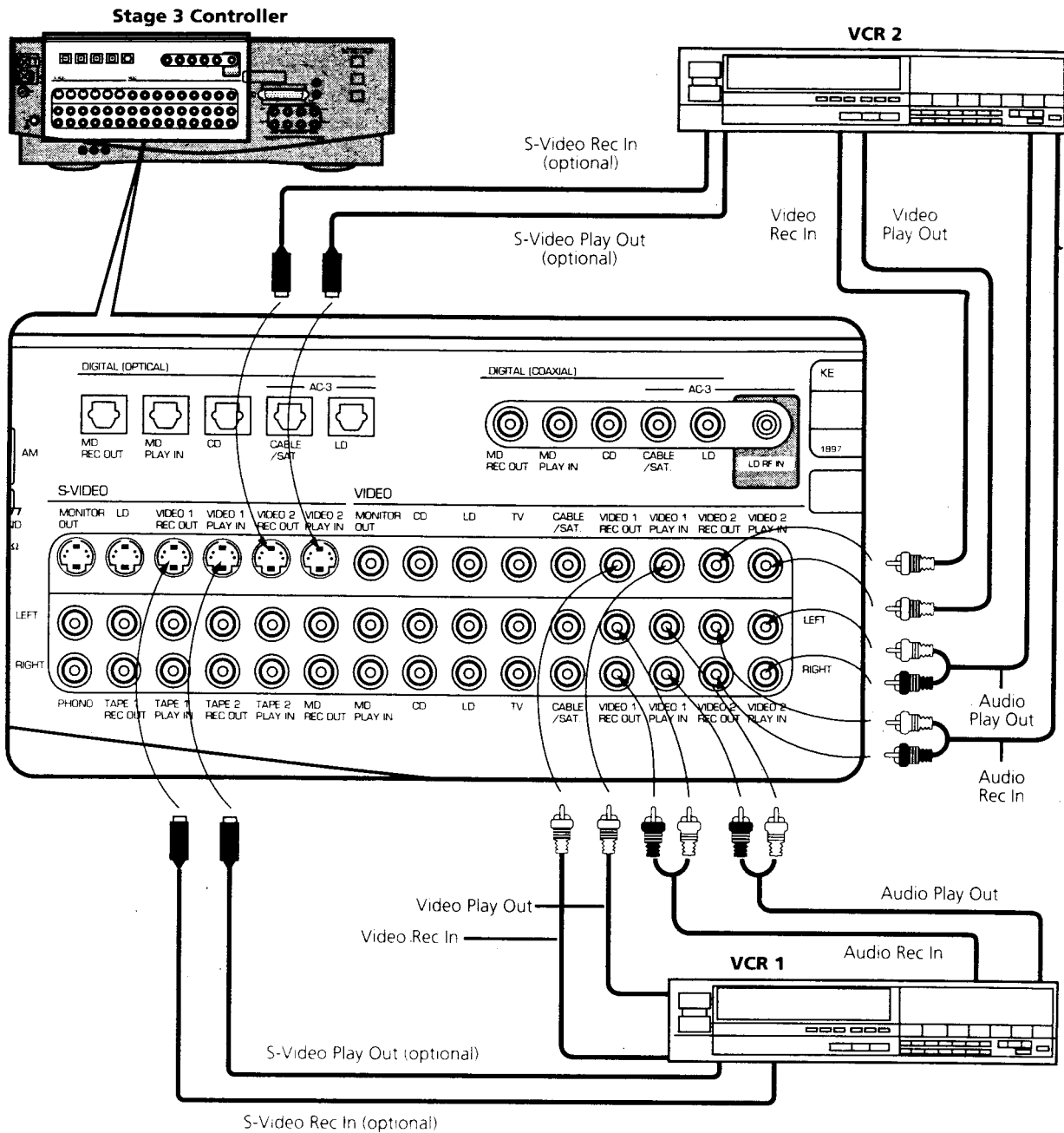
If your video components have S-video capability, using the S-video jacks will provide superior video performance.

- If you use the S-video jacks, you must use them for both the video source and TV connections. Composite video sources are not output through the Stage 3 Controller's S-video outputs (and vice versa).

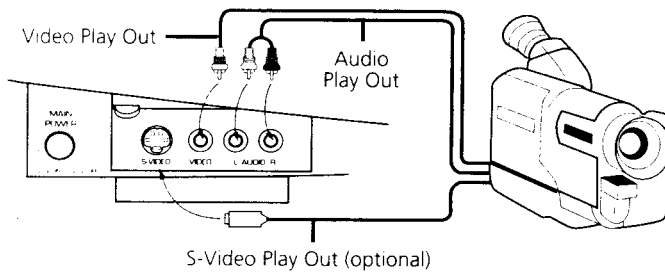
Connecting your VCRs

You can connect up to two VCRs to the Stage 3 Controller.

- If you use the S-video jack, do not connect the Video Play Out or Video Record In cables.



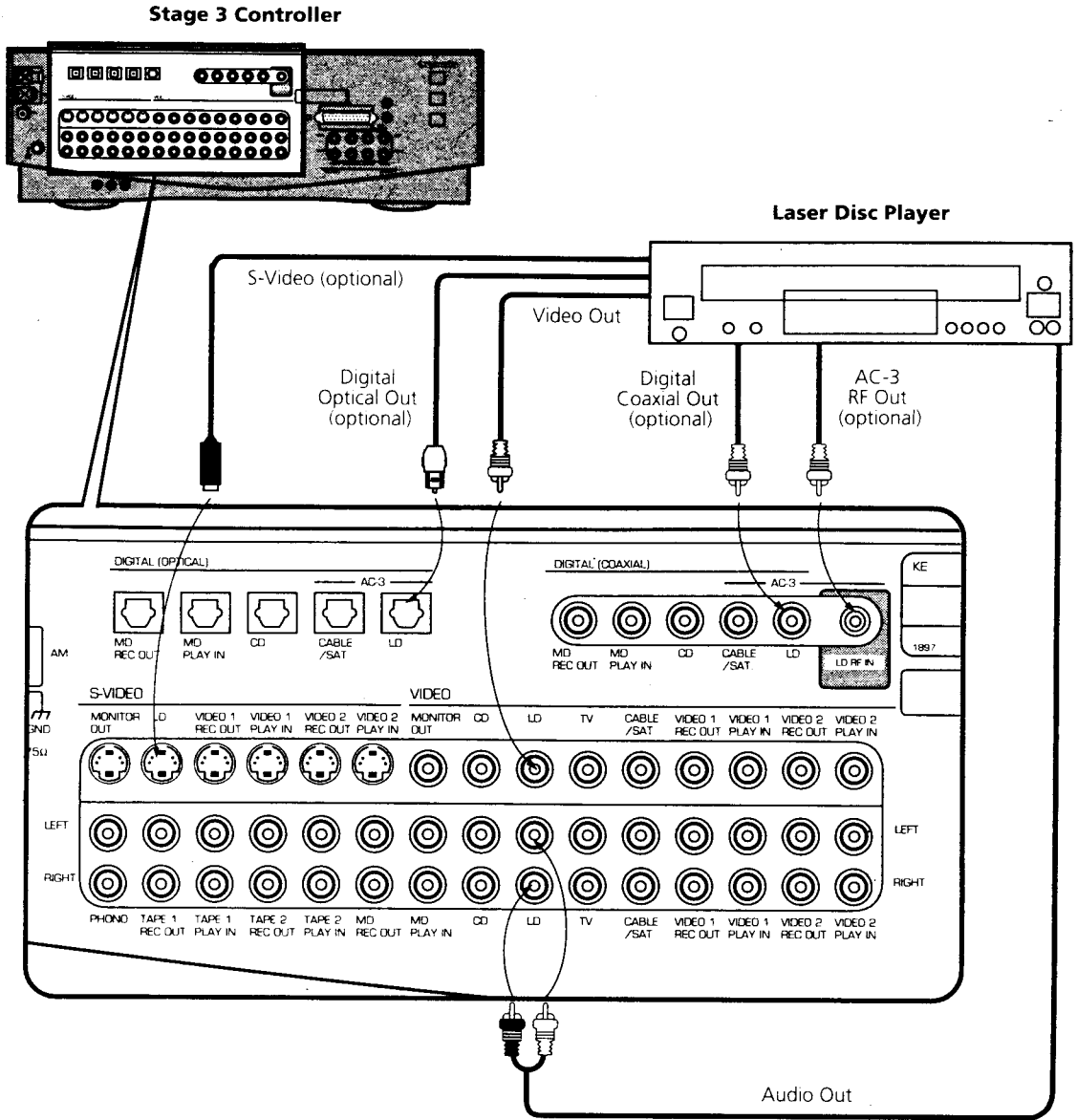
- You can use the Video 3 input (on the front panel) to connect a play-only video source, such as a camcorder, laser disc player, or another VCR.



Connecting your laser disc player

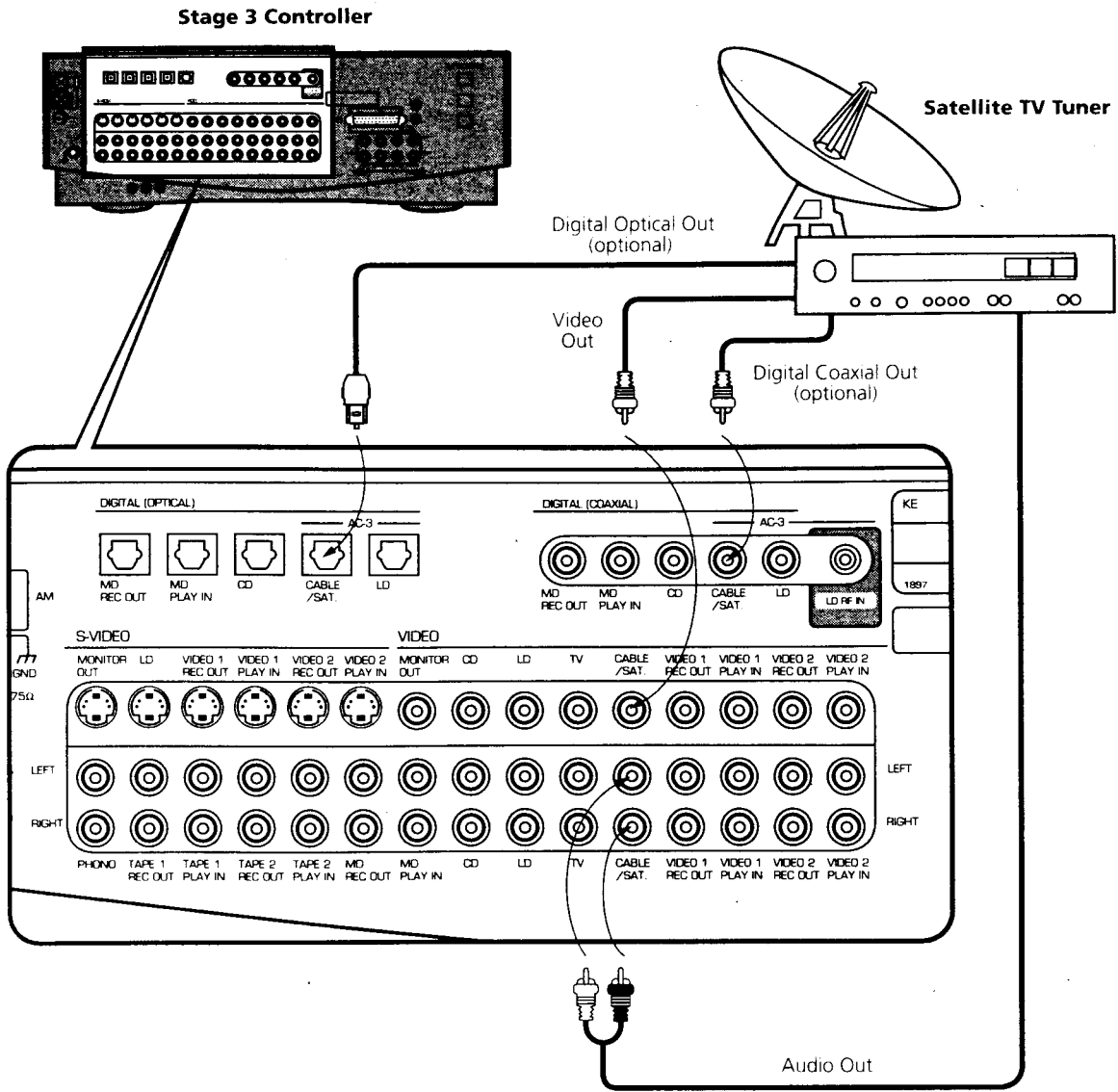
Connect the Video Out and Audio Out cables to the Stage 3 Controller. If you have Digital Optical Out, Digital Coaxial Out, AC-3 RF Out, or S-video, connect them also.

- If you use the S-video connection, do not use the Video Out jack.



Connecting your cable or satellite TV tuner

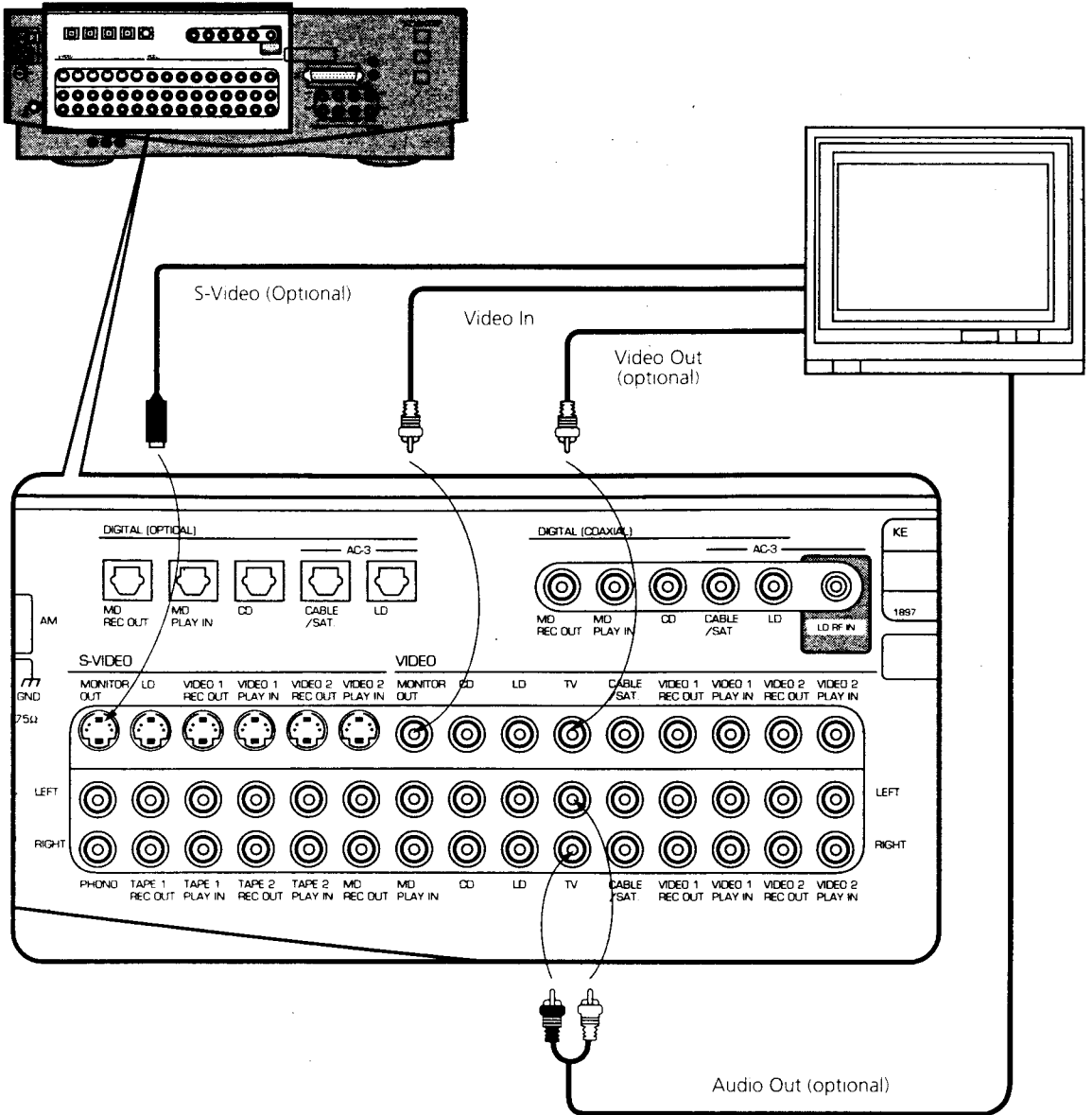
Connect the Video Out and Audio Out cables to the Stage 3 Controller. If you have Digital Optical, or Digital Coaxial cables, connect them also.



Connecting your TV

Connect the Video In cable to the Stage 3 Controller. If you have Video Out, Audio Out, or S-video, connect them also.

- If you use the S-video jack, do not use the Video In or Video Out jacks.





*Connecting your
audio components*

step

I

You can connect your turntable, CD player, 2 analog tape decks, and a MiniDisc recorder (or a third tape deck) to the Stage 3 Controller.

- Make sure that you connect all plugs firmly, so there's no sound loss or unwanted noise later.
- Whenever you connect or disconnect cables, turn off the power and unplug the power cord from the AC wall outlet to avoid damaging your unit.
- The cables are not included with the Stage 3 Controller.
- For more instructions, read the manual that came with each component.

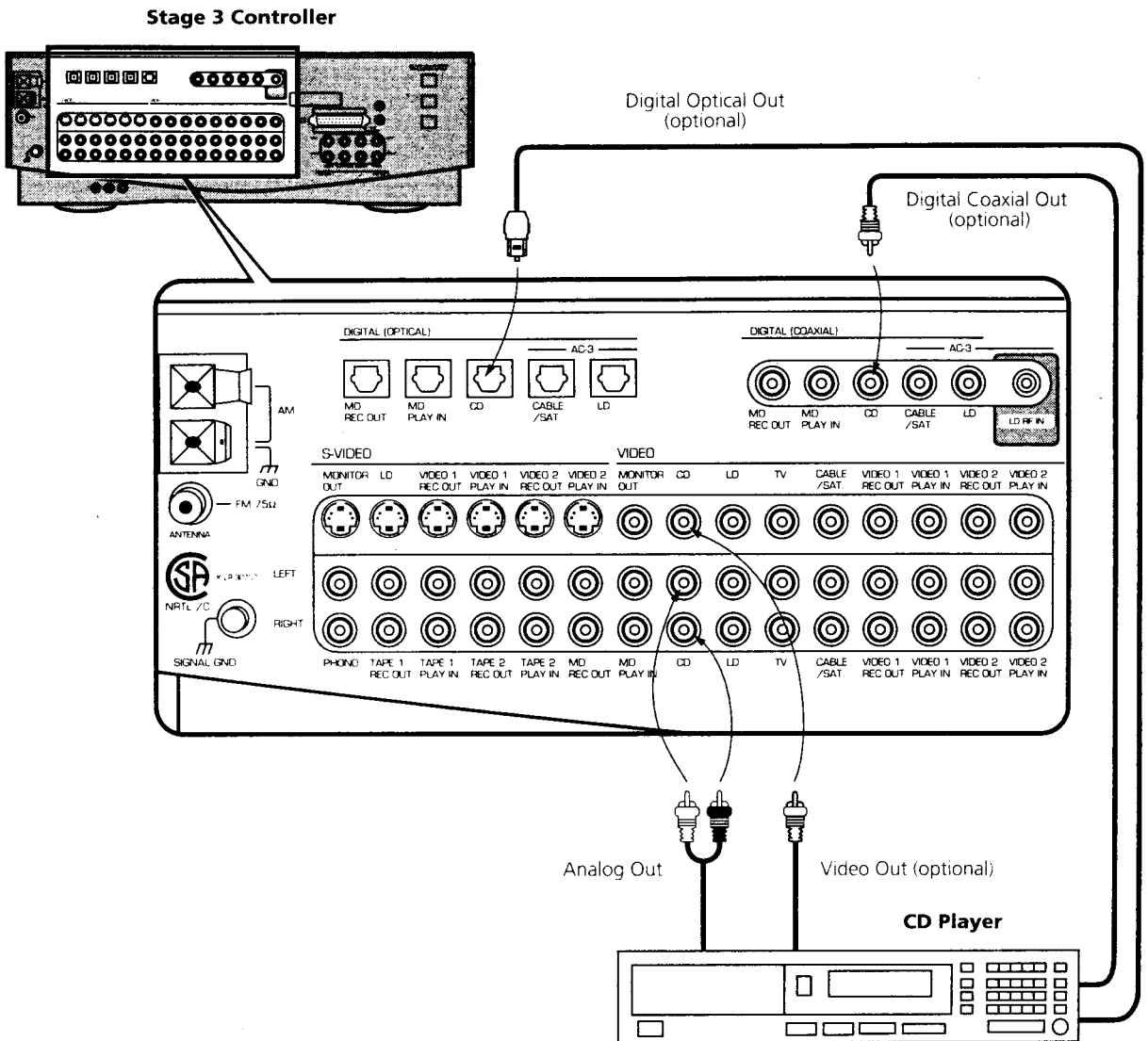
Connecting your CD player

Connect the Analog Out cable to the Stage 3 Controller. If your CD Player has Digital Coaxial Out, Digital Optical Out, or Video Out, connect them also.

Note: If you are connecting a Kenwood 10-disc CD changer, be sure to plug its power cord into one of the switched outlets on the Stage 3 Controller. This will ensure that the TouchPanel can properly control the CD changer.

About DVD Players

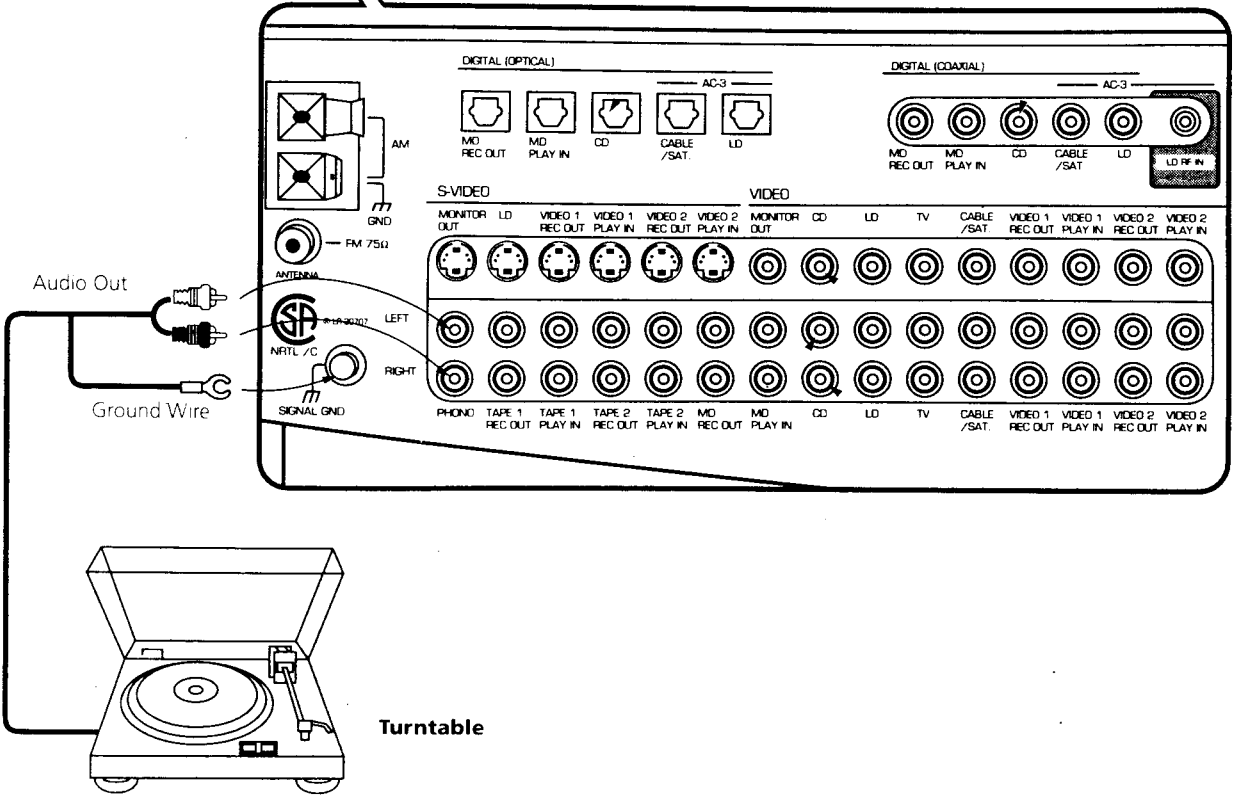
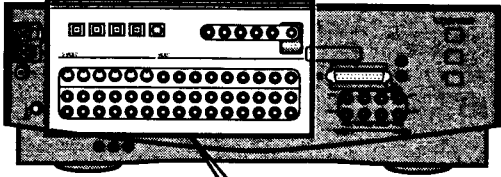
You can connect a DVD player the same way you would a CD player. You cannot connect both at the same time.



Connecting your turntable

Connect the Audio Out and Ground Wire to the Stage 3 Controller.

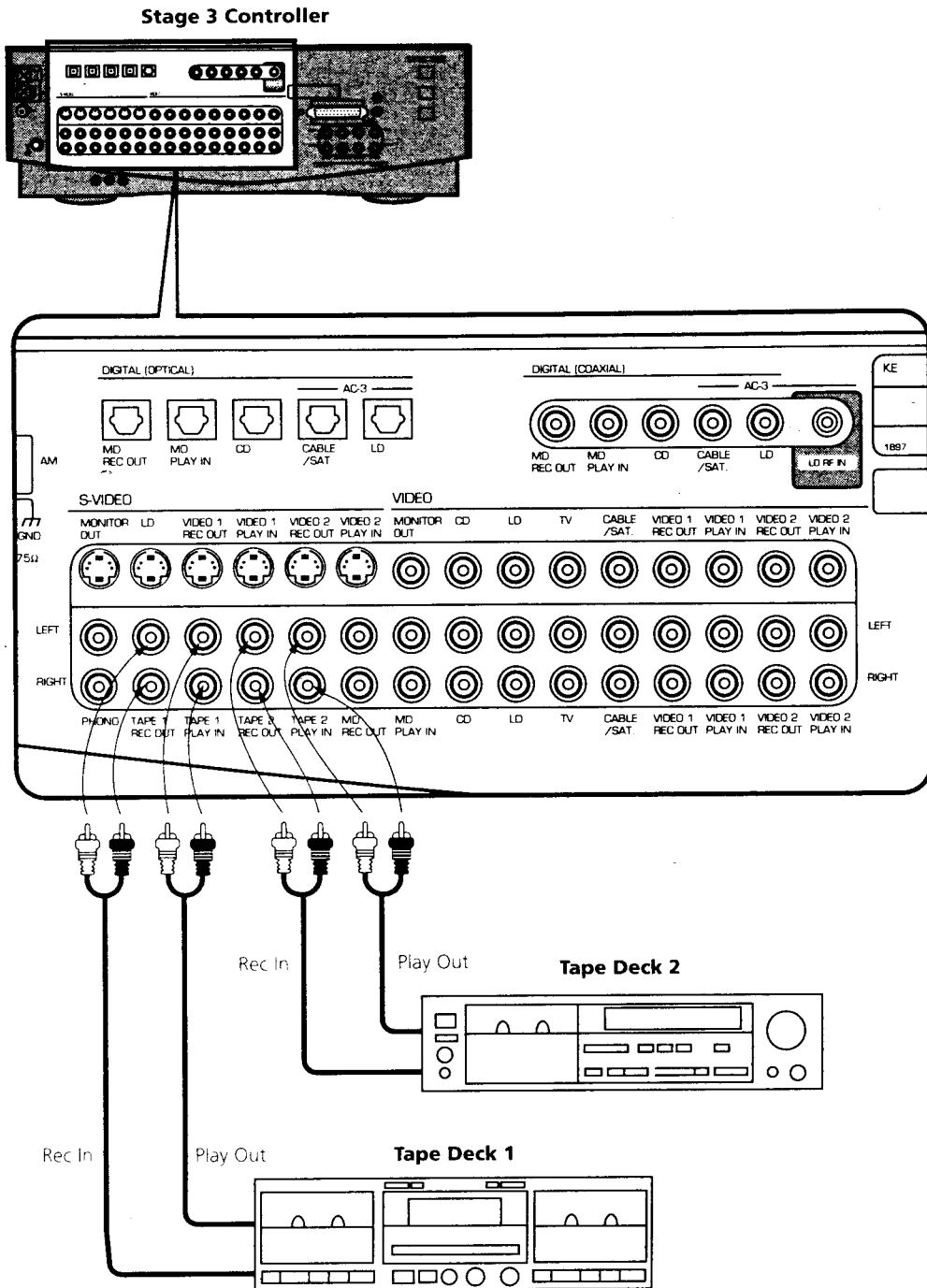
Stage 3 Controller



Connecting your analog tape decks

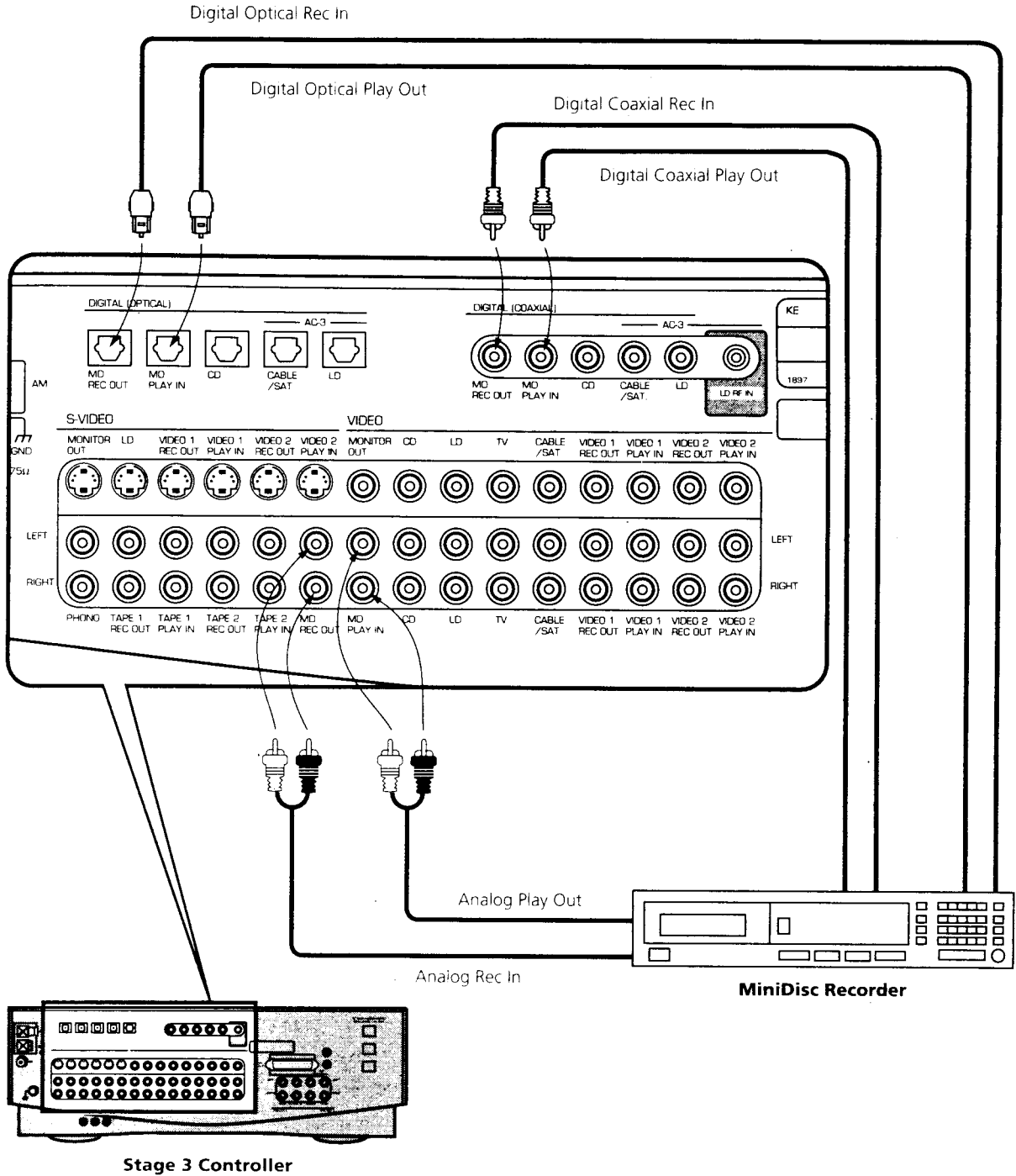
You can connect up to two analog tape decks, such as a cassette deck or reel-to-reel. Connect the Record In and Play Out cables to the Stage 3 Controller.

- If you have a Kenwood tape deck with SL16 System Control jacks (see page 32), connect it to the Tape-1 inputs.
- Read *Using your Stage 3 Controller* for instructions on how to use Tape-2 as a tape monitor input.
- If you are not using a MiniDisc recorder, you can connect a third analog tape deck to the Stage 3 Controller's analog MD Play In and MD Rec Out inputs. In this case, leave the Stage 3 Controller's digital MD inputs and outputs open.



Connecting your MiniDisc recorder

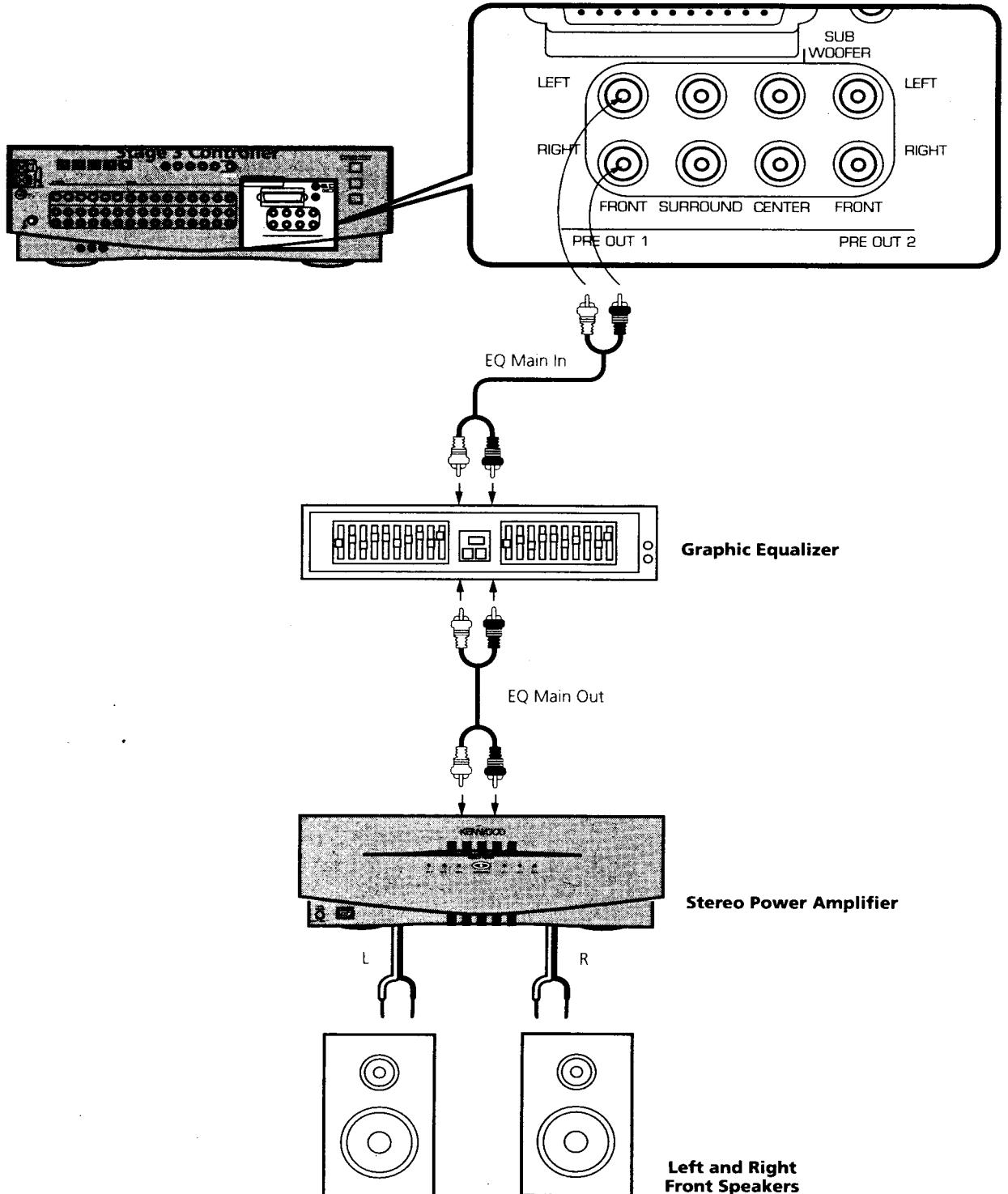
Connect the analog Play Out, Analog Record In, and any of the Digital Optical Record In, Digital Optical Record Out, Digital Coaxial Record In, or Digital Coaxial Play Out cables to the Stage 3 Controller.



Connecting a graphic equalizer

If you connect a graphic equalizer to the Stage 3 Controller, be sure to connect it between the Stage 3 Controller's Pre Out 1 or Pre Out 2 and your power amplifier's inputs.

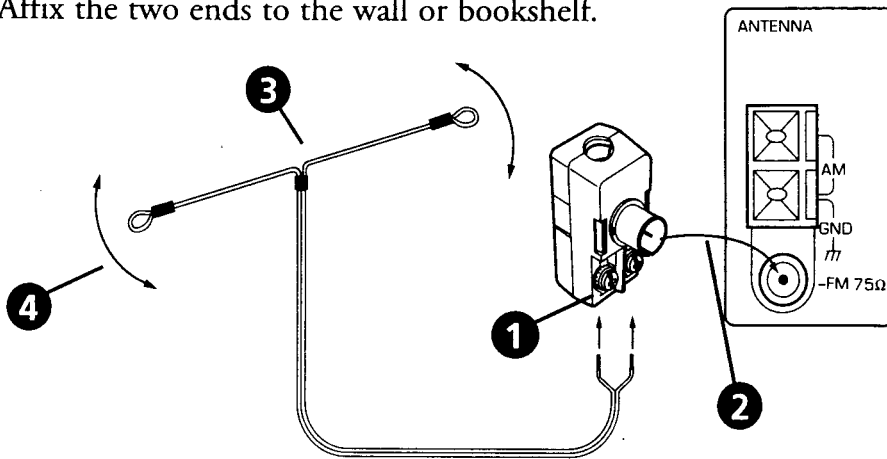
- **IMPORTANT:** Do not connect a graphic equalizer to the Tape 2 jack and configure it as a tape monitor input. This could overload the Stage 3 Controller's digital circuitry, causing distortion and interfering with Dolby Surround Pro Logic performance.



Using the FM indoor antenna

You can use the FM indoor antenna we've supplied until you can install an outdoor antenna. When you do, remove the indoor antenna.

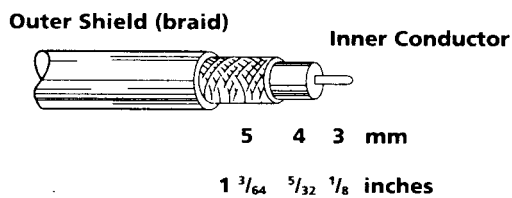
- 1 Connect the loose ends of the antenna to the screw terminals on the antenna adaptor.
- 2 Connect the antenna adaptor to the Stage 3 Controller antenna input.
- 3 Fully extend the antenna and place it along a wall or bookshelf.
- 4 Adjust the antenna to find the position that provides the best reception.
- 5 Affix the two ends to the wall or bookshelf.



Using an FM outdoor antenna

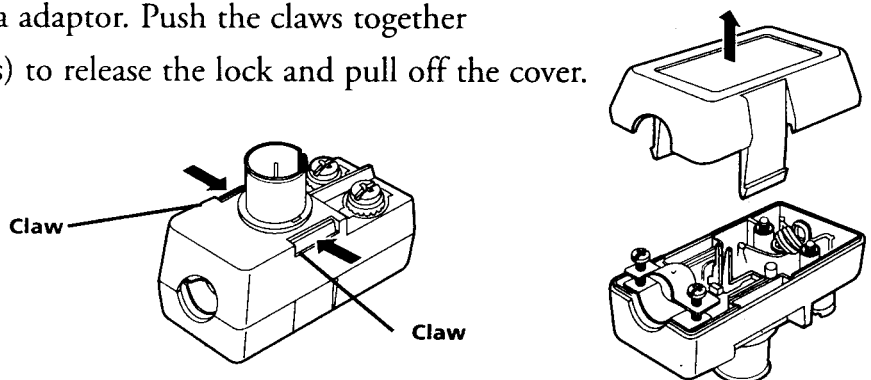
For the best reception, install an FM outdoor antenna. Use a coaxial cable for the connection between the outdoor antenna and the FM antenna adaptor.

- 1 Prepare the cable:

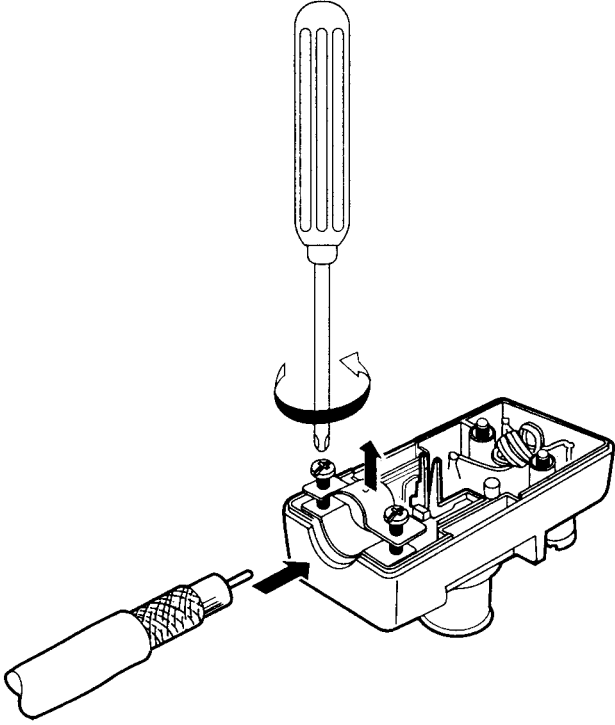


RG-6 (5C-2V) or RG-59 (3C-2V)

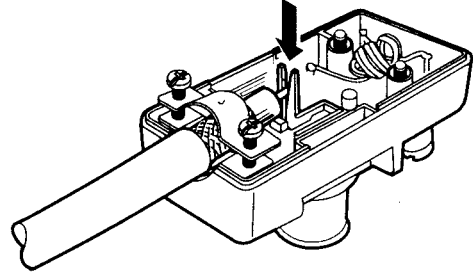
- 2 Open the antenna adaptor. Push the claws together (with your fingers) to release the lock and pull off the cover.



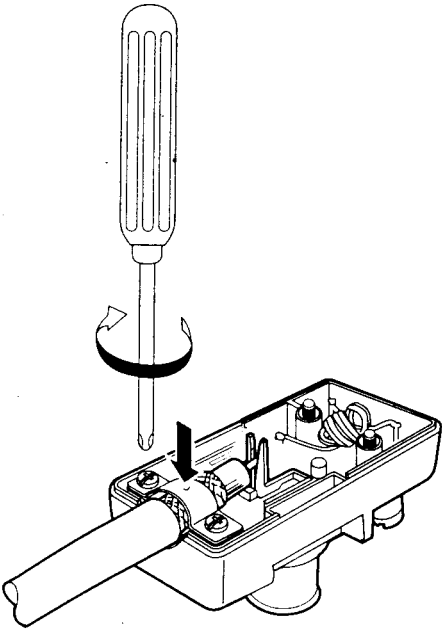
- 3** Using a Phillips screwdriver, loosen the screws holding the clamp in place, and insert the cable into the clamp.



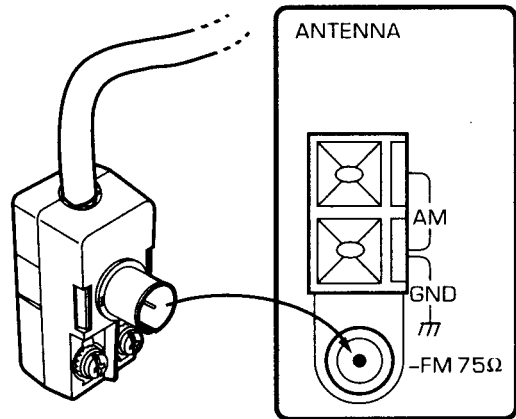
- 4** Make sure that the cable's braided insulation contacts the clamp, and that the inner conductor fits into the 'V' groove of the center pole.



- 5** Tighten the clamp screws and replace the adaptor cover.



- 6** Connect the adapter to the Stage 3 Controller Antenna input.





The TouchPanel can control most of the components in your home theater, whether they are made by Kenwood or by another manufacturer.

Connecting Kenwood components

Many Kenwood components use System Control connections to communicate with each other. Newer Kenwood products use SL16 jacks, while older ones use XS8 or XS jacks. The TouchPanel controls SL16-type components using System Control connections wired to the Stage 3 Controller. It controls other Kenwood components, including XS8 components using the Stage 3 Controller's IR repeater.

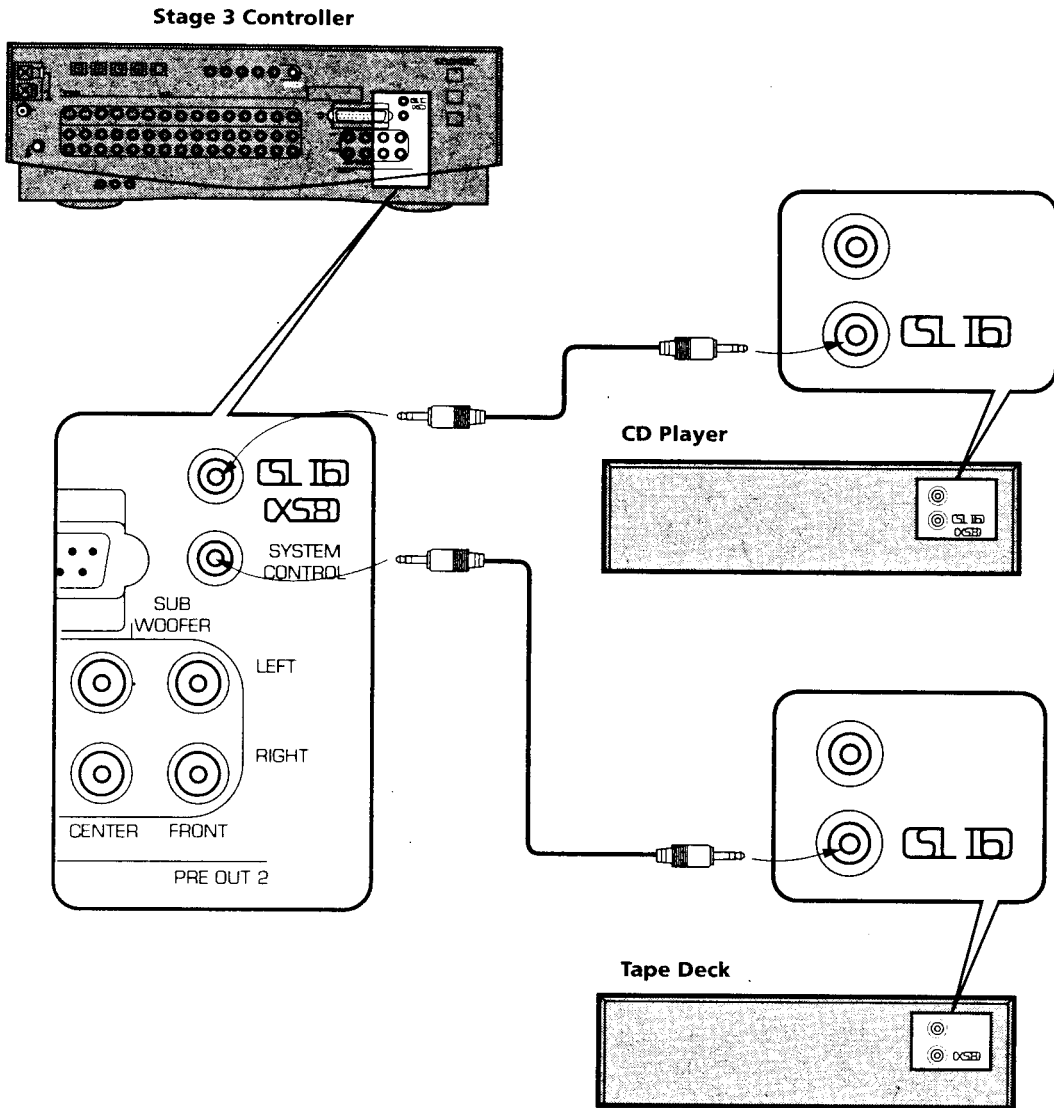
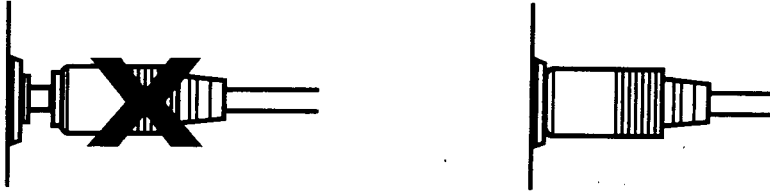
Before you connect your components, check the System Control jacks on the back of your Kenwood components to see if they are labeled 'SL16' or 'XS8(SL16)'.

About XS8 components

If you have a Kenwood XS8 cassette deck that is not IR-controllable and are using NO SL16 Kenwood source components with the Stage 3 Controller, you can set up the tape deck for XS8 System Control. Connect it to the Tape 1 inputs and follow the instructions on the next page as if it were an SL16 component. (This is the only situation in which an XS8 component can be controlled by the TouchPanel.)

Kenwood SL16-type components

- 1 If any component is labeled 'XS8/(SL16)', read its owner's manual and set it to the SL16 setting.
- 2 Connect these components as shown below. Be sure to push the plugs all the way in.

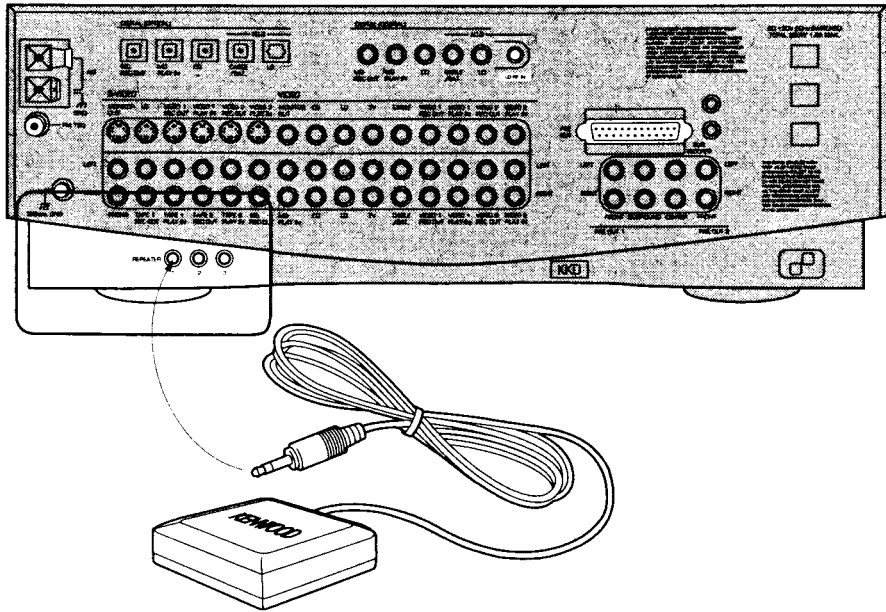


- 3 Read page 51 to set up the TouchPanel to control these components.

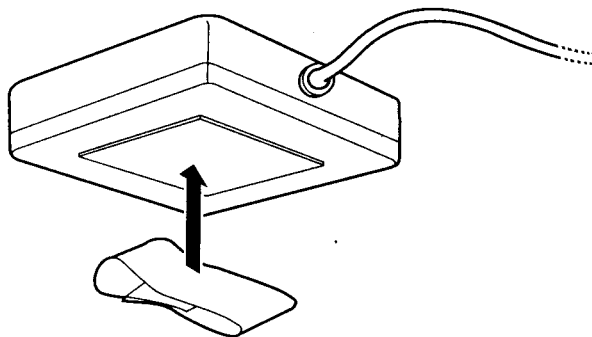
Other components

The Stage 3 Controller can control any component that has its own wireless remote (whether Kenwood or not). In a few instances, a component that does not have its own wireless remote may still work (read the component's owner's manual for more information). Most components that don't have a wireless remote cannot be controlled by the TouchPanel.

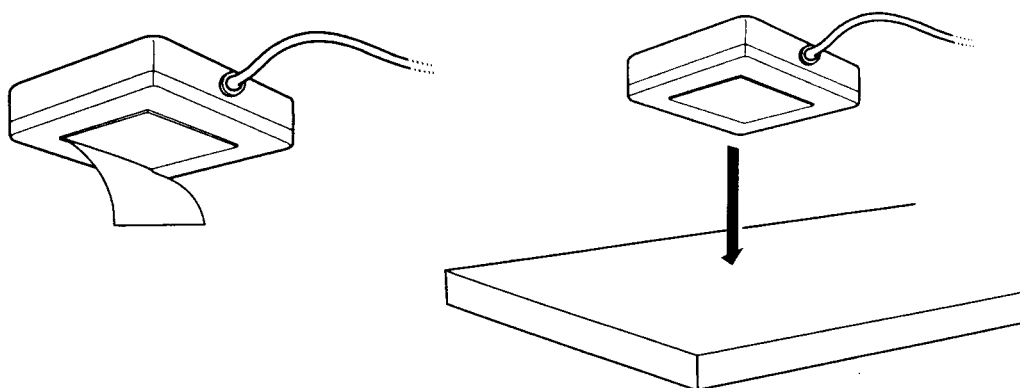
- 1 Plug the IR repeater into one of the Stage 3 Controller's Repeater jacks 1, 2, or 3.



- 2 Using a small piece of Scotch tape or masking tape, temporarily mount the repeater on a surface near your components (make sure the tape does not cover the top or sides of the repeater).
- The repeater's coverage pattern is very broad, so its location in the room isn't critical. However, in rare cases you may have to experiment to find a location that works with all of your components.



- 3 Continue through this guide until your components are set up and operating.
- 4 Later, when you are sure that the TouchPanel operates all of your IR-controllable components and accessories, peel the backing off of the double-stick tape on the the repeater and mount it.



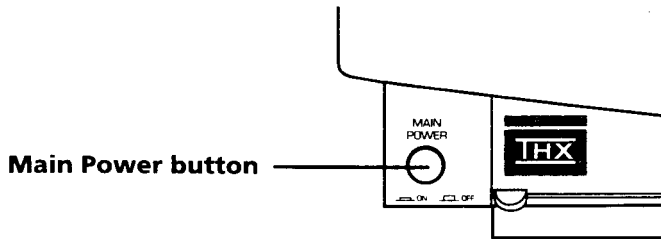
Controlling accessories

The TouchPanel can control up to 6 accessories (such as lights, motorized projection screens, and so on). Since the TouchPanel controls the accessories using the IR repeater, make sure that the repeater is properly connected (read the section above) before setting-up the TouchPanel to control the accessories. Read *Using your Stage 3 Controller* to learn how to control accessories.

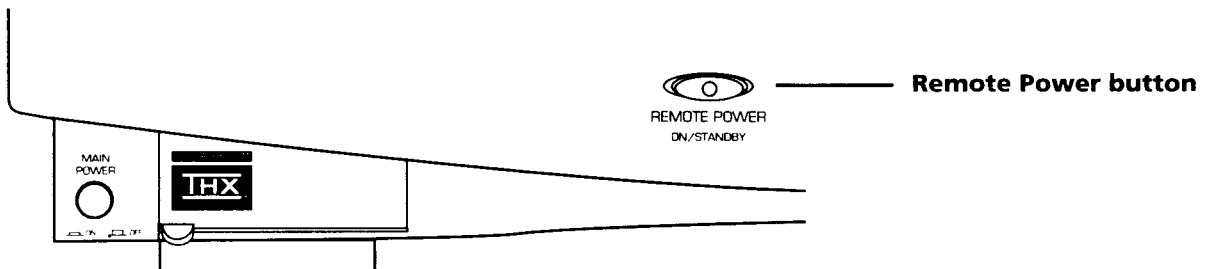
Turning the power on for the first time

step

- 1 Check that all of the connections have been made properly.
- 2 Plug the power cord into an AC wall outlet.
- 3 Push the Main Power button on the lower left corner of the front panel.



- 4 Touch the Remote Power button on the front panel.



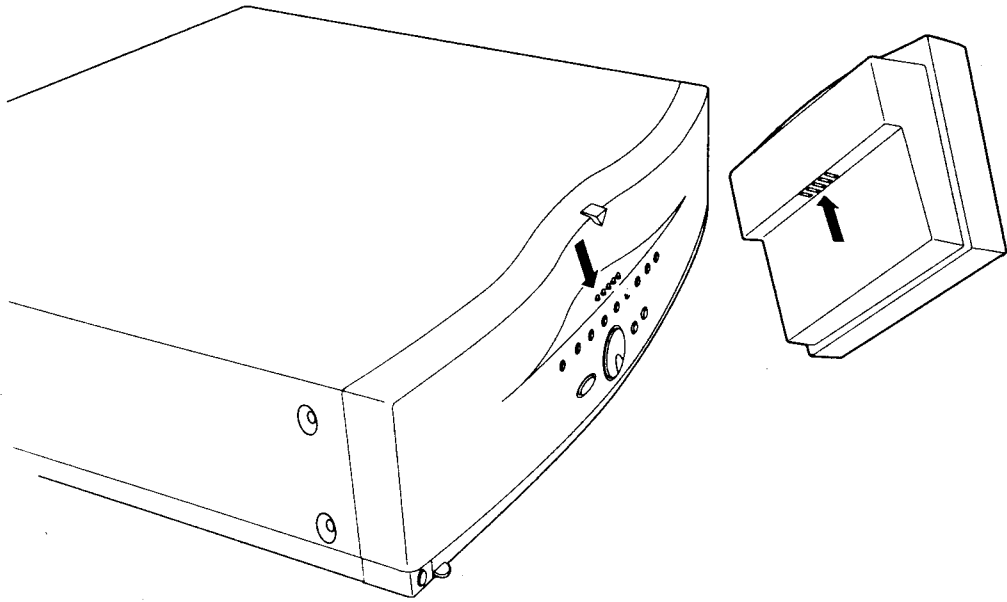
- 5 When you are done Using your Stage 3 Controller, do not turn the Main Power button off. Doing so will shut off the battery charge compartment.

Preparing the TouchPanel

step 8

The TouchPanel can operate the Stage 3 Controller either remotely or while attached to its Dock on the front panel.

- Be sure to keep the metal contacts on the Dock and TouchPanel clean. Dirty contacts may interfere with operation of the TouchPanel while it is attached to the Dock.

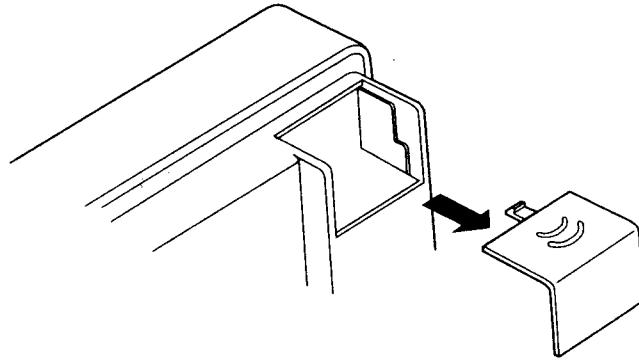


About the TouchPanel

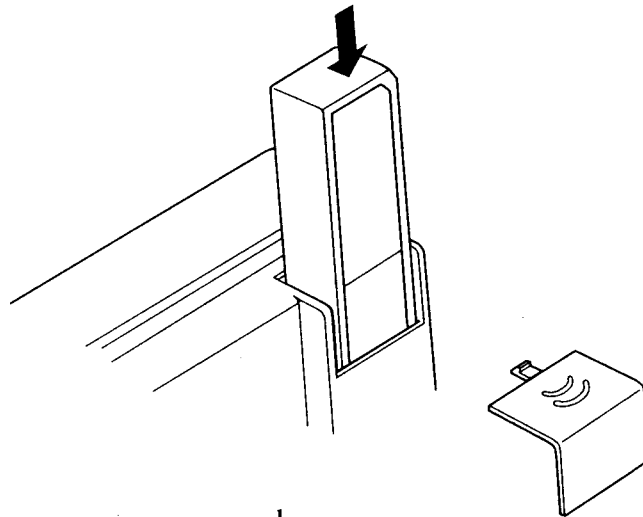
The TouchPanel is a precision-engineered device, and should be handled carefully. Do not drop the TouchPanel or its rechargeable batteries onto a hard surface.

Installing the battery in the TouchPanel

- 1 Remove the battery compartment door by pressing down on the ridged area and sliding it off in the direction of the Arrow.



- 2 Insert the end of the battery with the contacts into the battery compartment, with the contacts facing up (towards the screen side of the TouchPanel) until it clicks into place.



- 3 Replace the battery compartment door.

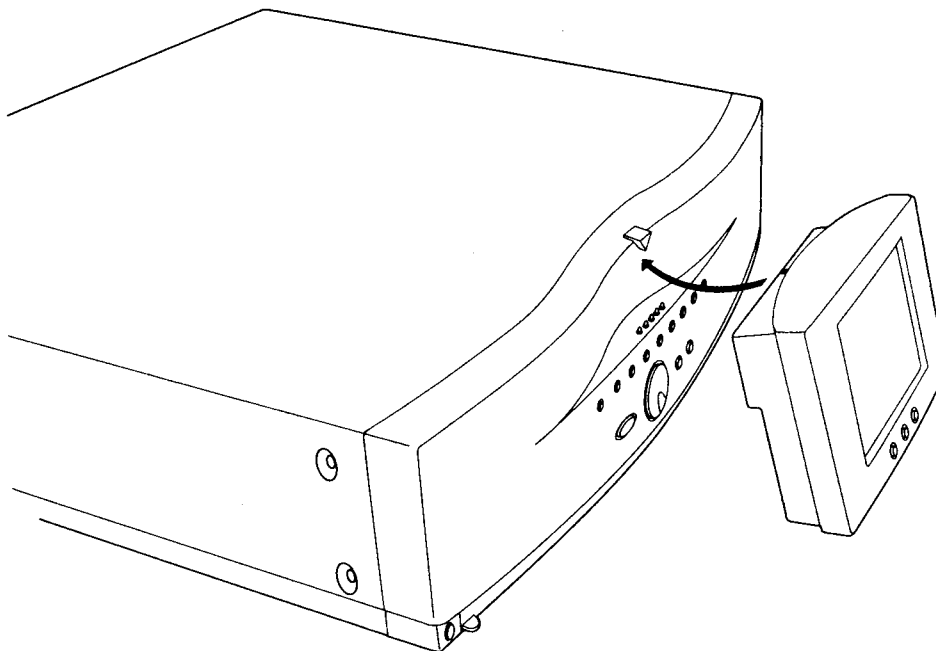
This battery should be sufficiently charged to finish setting up the system. If the low battery indicator lights while you're setting up the system, replace the battery with the fully charged one from the charging compartment. If that battery is not fully charged (the Battery Indicator is red), you have two options:

Option 1: Remove the low battery from the TouchPanel and perform the rest of the setup with the TouchPanel docked to the Controller (do not dock the TouchPanel with a low battery installed in it).

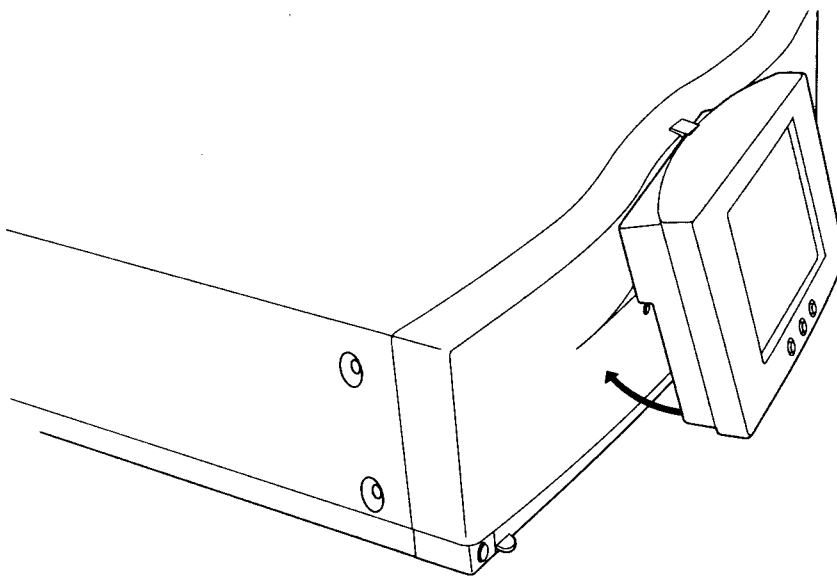
Option 2: Wait until the battery in the charging compartment is fully charged (the Battery Indicator light is green) and install it in the TouchPanel.

Attaching the TouchPanel to the Dock

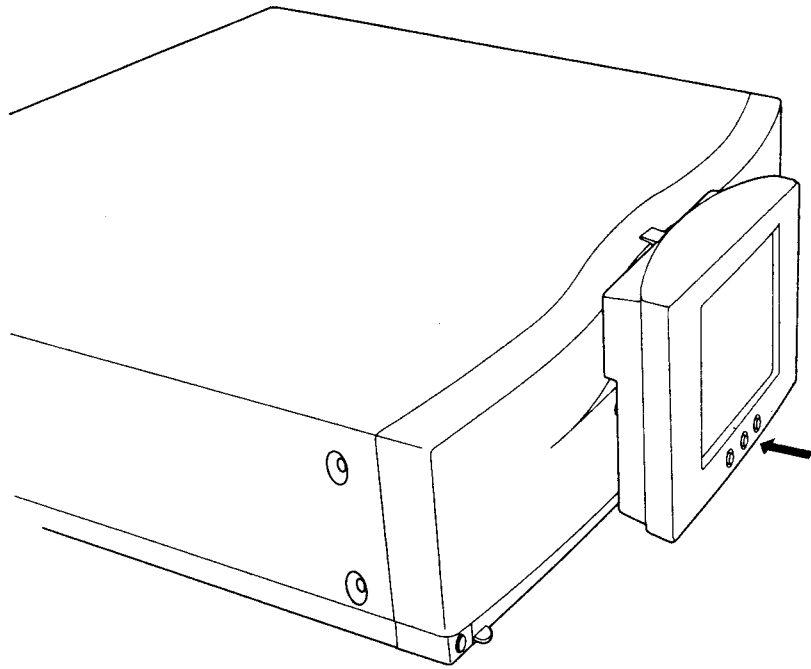
- 1 Hold the TouchPanel with its top toward the Dock.



- 2 Insert the TouchPanel onto the Dock so that the TouchPanel lock is inside the slot on top of the TouchPanel



- 3 Gently push the bottom of the TouchPanel against the controller until it locks in place.

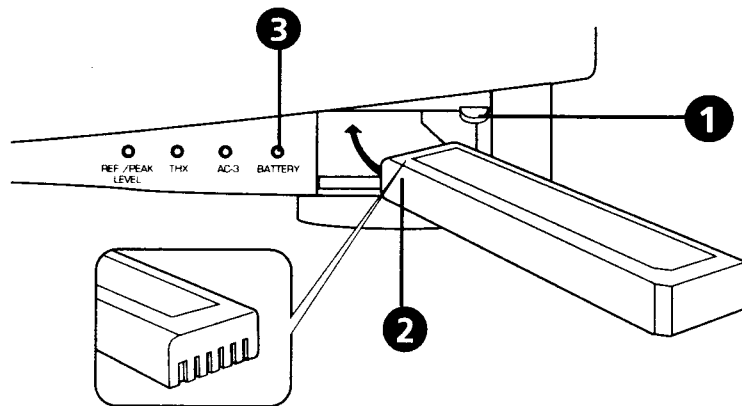


- To remove the TouchPanel from the Dock, reverse the above steps.
- The Stage 3 Controller unit will maintain the TouchPanel battery's charge level whenever the TouchPanel is attached to the Dock.
- Do not dock the TouchPanel if its battery is low. (displaying the low battery warning); this may diminish battery life. Instead, remove the battery from the TouchPanel and exchange it with the fully charged battery in the charge compartment before docking the TouchPanel.

Charging a battery

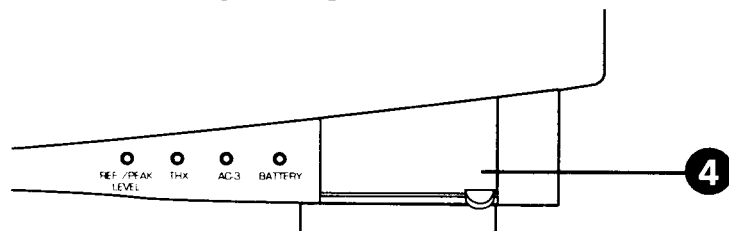
The Stage 3 Controller has a charging compartment for the extra battery. If the battery in the TouchPanel runs down, you can swap it with the extra battery and continue to use the TouchPanel to control the system.

- 1 Open the Battery Compartment door by sliding it up.
- 2 Insert the end of the extra battery with the contacts into the Battery Compartment, with the contacts facing up until it locks into place.
- 3 The battery light next to the door will glow red.
- 4 Close the Battery Compartment door.

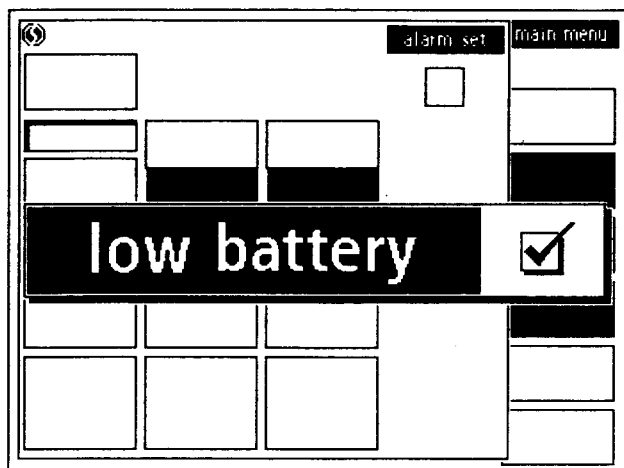


The battery will fully charge in 2-4 hours.

- The Battery Light will change to green when the battery has been fully charged.
- Since the compartment will keep the battery fully charged, we recommend that you leave the extra battery in the charger compartment until it is needed.



The TouchPanel screen will display the following message when its battery needs recharging:



- Exchange the battery with the fully-charged extra battery in the controller's Battery Compartment.

About battery life

Under constant use (with the LCD display constantly lit), a fully-charged battery will last 4 to 5 hours before it needs to be recharged. Under normal use (the LCD display set to shut off a few seconds after it's used), the battery should last much longer. See "Setting the LCD Sleep Time" for instructions on adjusting the TouchPanel to help maximize battery life.

- The batteries can be recharged and reused approximately 250 times. You will know a battery is nearing the end of its life when its use time shortens.
- Only use DURACELL DR-17 batteries.

About the rechargeable batteries

- When batteries need recharging, recharge them as soon as possible. Also, do not expose the batteries to high temperatures. This will help the batteries maintain their charge.
- For more information about batteries, contact Duracell directly at 800-551-2355.



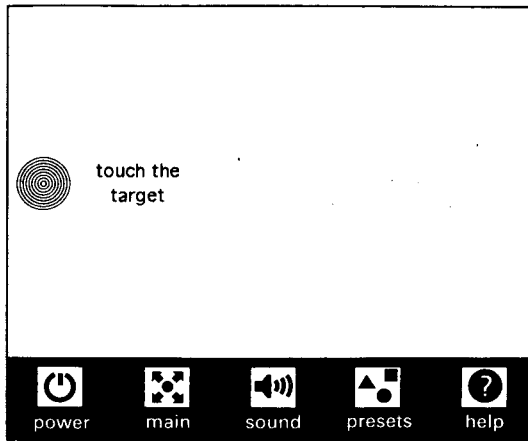
Customizing the TouchPanel

step

When you put the battery in for the first time, the TouchPanel displays the Touch The Target screen. This screen helps calibrate the TouchPanel so it can detect the exact center of each button.

Calibrating the TouchPanel

Touch the center of each target as it moves around the screen. You will touch the target 4 times. If you're not satisfied with the result, or you missed one of the targets, you can always start over from the Touch Screen button.



About the main menu

After you are finished calibrating the TouchPanel, the system displays the Stage 3 Title Screen for a short time, then the Main Menu screen.

SYSTEM COMPONENT ICONS

Lets you select and control your system components. Once you have set-up the TouchPanel, the Main Menu will show a separate icon for each component in your system

RF COMMUNICATIONS ICON

Appears on every TouchPanel screen



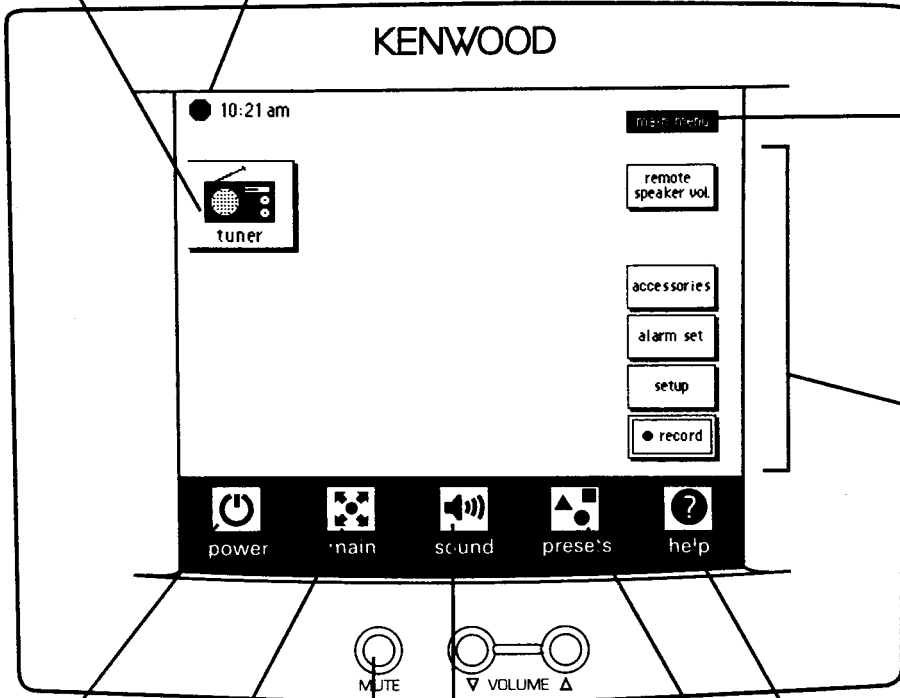
TouchPanel is docked



TouchPanel is receiving communication



TouchPanel is not receiving communication



SCREEN NAME

Corresponds to the button you touched to activate the current screen

SELECTION BUTTONS

Allow you to activate or adjust different functions

POWER

Turns on and powers-down the Stage 3 Controller

SOUND

Gives you total control over the way your system sounds

HELP

Gives you quick information on how the TouchPanel buttons work in the different screens

MAIN

Lets you listen to and control all of the components in your home theater system

VOLUME CONTROL AND MUTE BUTTONS

The TouchPanel's volume and mute buttons are always available, no matter which screen you are using

PRESETS

Enables you to save any changes you make with the sound buttons (and more) as system presets for instant recall

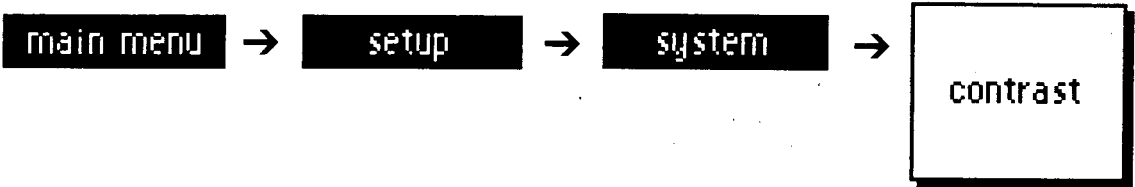
About the auto-off feature

The TouchPanel turns itself off after a period of time if it hasn't been used. This feature saves battery power, and can be adjusted (see page 48). To reactivate the TouchPanel, simply touch it again.

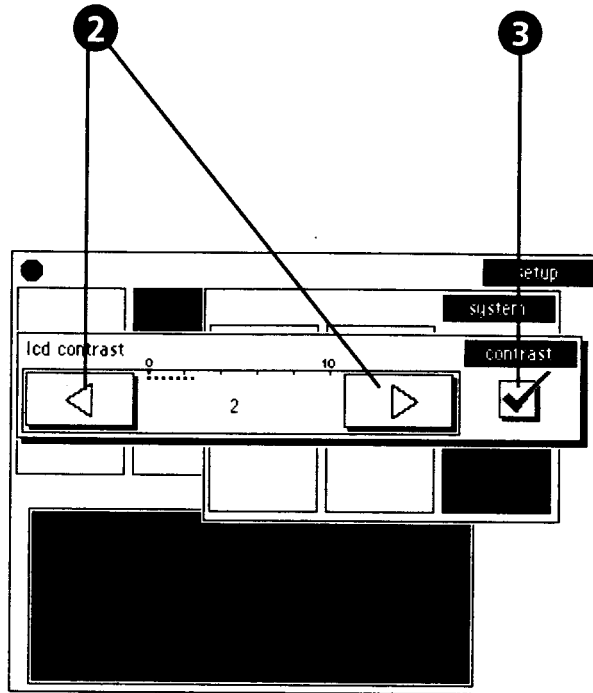
Changing the LCD contrast

Lighting conditions can affect your view of the TouchPanel screen. With this feature you can adjust the contrast for the best possible view.

- 1 To get to the LCD Contrast screen, touch these buttons:



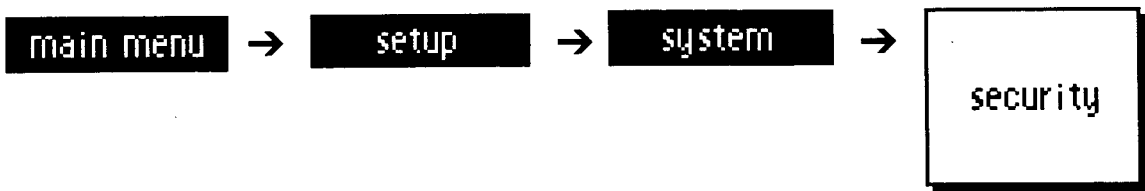
- 2 Adjust the contrast using the Arrow buttons.
- 3 Touch the CHECK-MARK to save your changes.



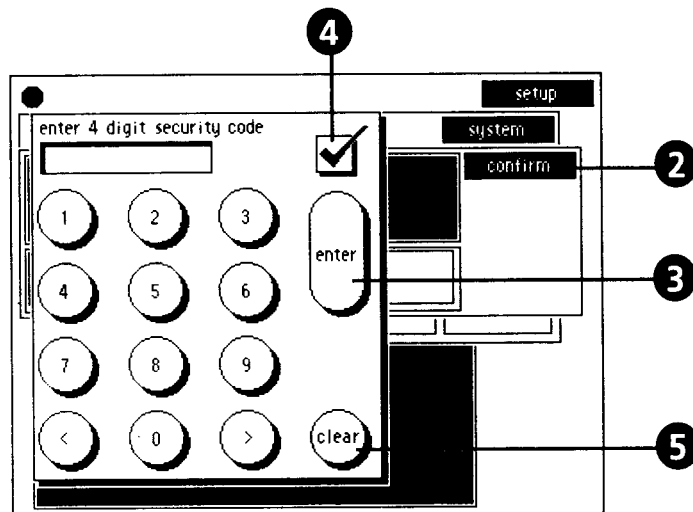
Creating a security code (optional)

You can set up a security code to restrict access to the Stage 3 Controller's set-up functions and default values. With a security code, the TouchPanel requests a 4-digit number before you can change any system, component, speaker, or DSP Logic default settings. You don't need to know the security code to operate all of the Stage 3 Controller's features. You can still make temporary changes through the Sound menu and even save those changes as a system preset (a way to save a temporary system changes for future use).

- 1 To get to the Security screen, touch these buttons:



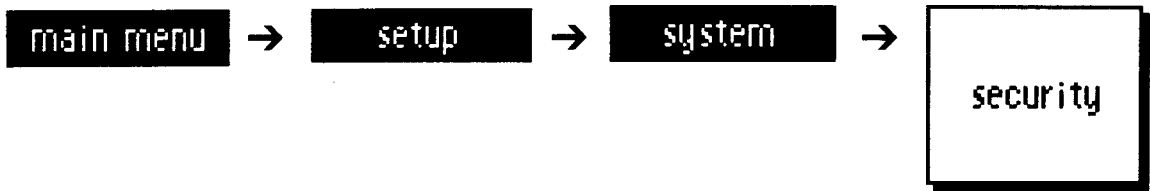
- 2 Touch YES on the Confirm screen. The TouchPanel displays the calculator pad.



- 3 Enter a four-character security code and touch the ENTER key.
- 4 Touch the CHECK-MARK to save the security code.
No change is made if you use the CHECK-MARK before the ENTER key.

To turn off the security code

- 1 To turn off the security code, touch these buttons:

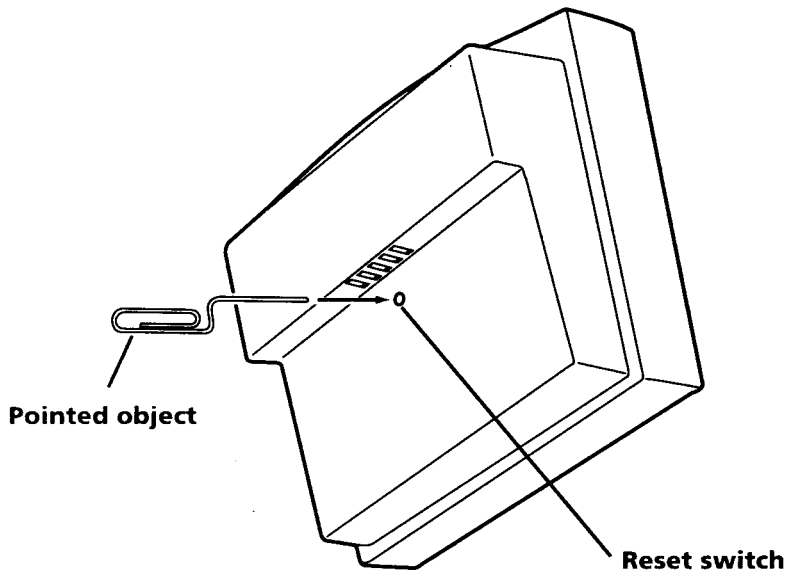


(You'll have to enter your security code at the Setup screen.)

- 2 Touch NO on the Confirm screen to turn off the security code..

If you forget your security code

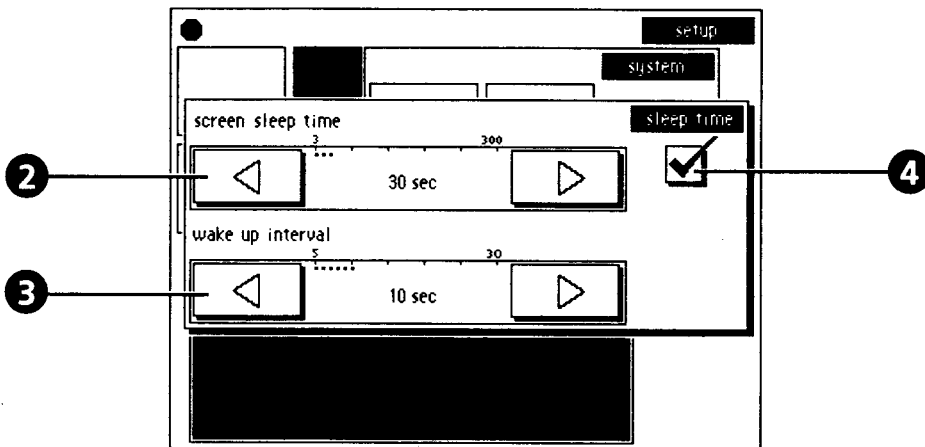
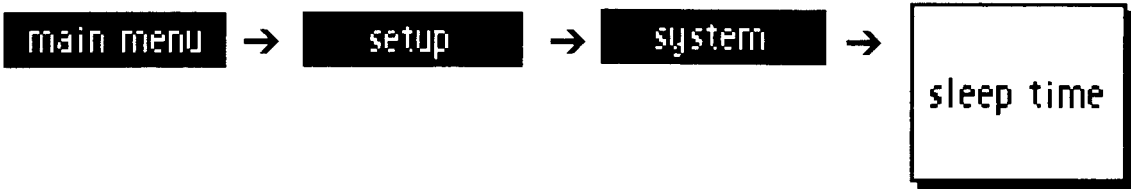
If you forget the security code, you can re-set it. Hold down the MUTE button and press the RESET button on the back of the TouchPanel case with a paper-clip or other pointed object. You can set another security code after re-calibrating the screen.



Setting the LCD screen saver

You can set the TouchPanel so that its screen turns off after it hasn't been used for a certain period of time. This helps conserve battery life. You can also determine how often the Stage 3 Controller updates the TouchPanel about the system's status. Setting a longer update interval also helps conserve battery life, but means that the TouchPanel may not read-out the system's current status when it first wakes-up. You determine the specific time intervals with the Sleep Time feature.

1 To get to the Sleep Time screen, touch these buttons:

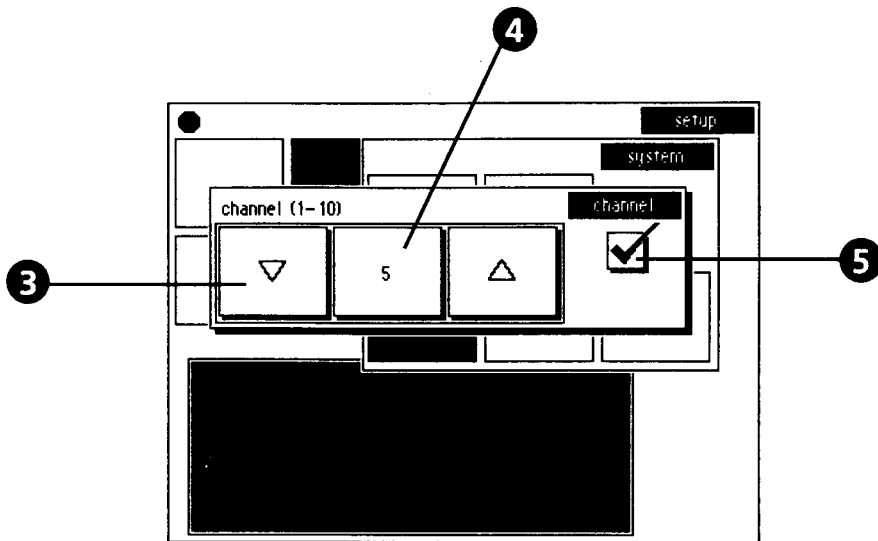
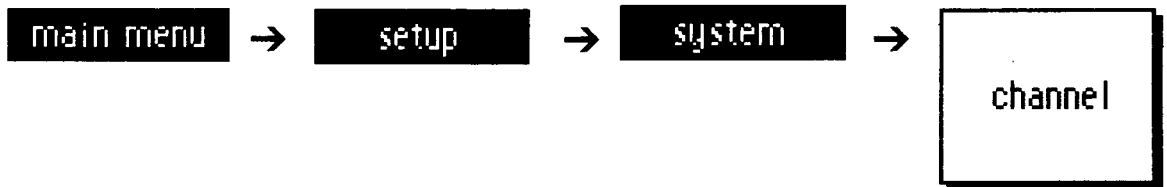


- 2** Use the Arrow buttons to change the screen sleep time (the time it takes the TouchPanel to turn-off after its last use).
- 3** Use the Arrow buttons to change the wake up interval (how often the Stage 3 Controller updates the TouchPanel about the system's current status).
- 4** Press the CHECK-MARK to save the changes.

Changing the communication channel

It isn't likely, but if the TouchPanel is having trouble communicating with the controller, you can change the communication channel. (See 'Troubleshooting' in *Using your Stage 3 Controller* for help with communication problems).

- 1 Connect the TouchPanel to its Dock on the controller.
- 2 To get to the System screen, touch these buttons:

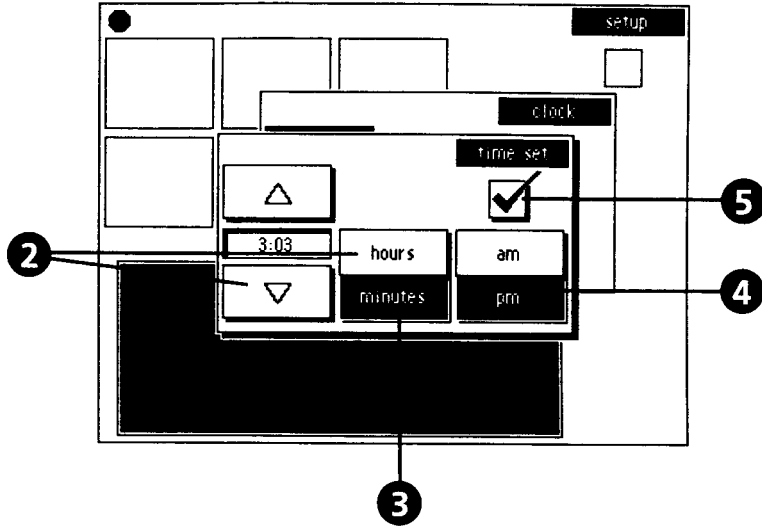
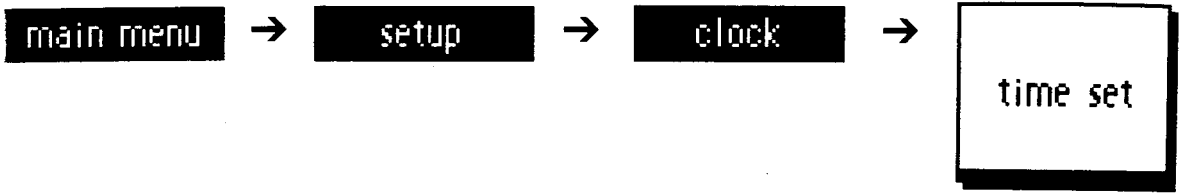


- 3 Use the Arrow buttons to change the channel number. You can choose any number between 1 and 10. Make sure it's different than the one currently displayed on the NUMBER (#) button.
- 4 If you want, you can touch the NUMBER button to use the calculator pad to change the channel number.
- 5 Touch the CHECK-MARK to save the settings.

Setting the time

The TouchPanel displays the time in the upper left corner of the Main Menu.

1 To get to the Time Set screen, touch these buttons:



- 2** To change the hour, touch the HOURS button, then use the Arrow buttons to increase or decrease the time.
- 3** To change the minutes, touch the MINUTES button, then use the Arrow buttons to increase or decrease the time.
- 4** Touch the AM or PM buttons to set the time of day.
- 5** Touch the CHECK-MARK to save the changes.

NOTE: If power to the Controller is interrupted, or if you turn off the main power switch, you must reset the correct time.

Setting up audio and video components

step

10

In this step, you'll prepare the Stage 3 Controller to work with the different components in your system. Once set up, each component will have its own icon on the Main Menu.

If you've set up a security code, the TouchPanel displays the calculator pad and asks for your security code. See 'Creating a security code' on page 44 for more information.

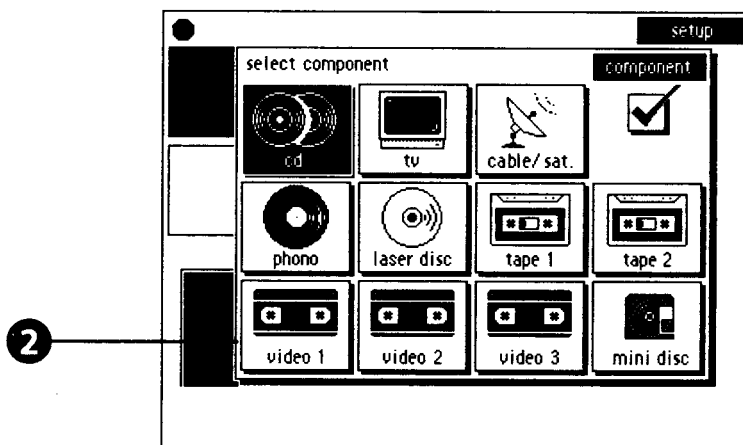
Basic procedure

Start with these basic procedures for each component you are setting up.

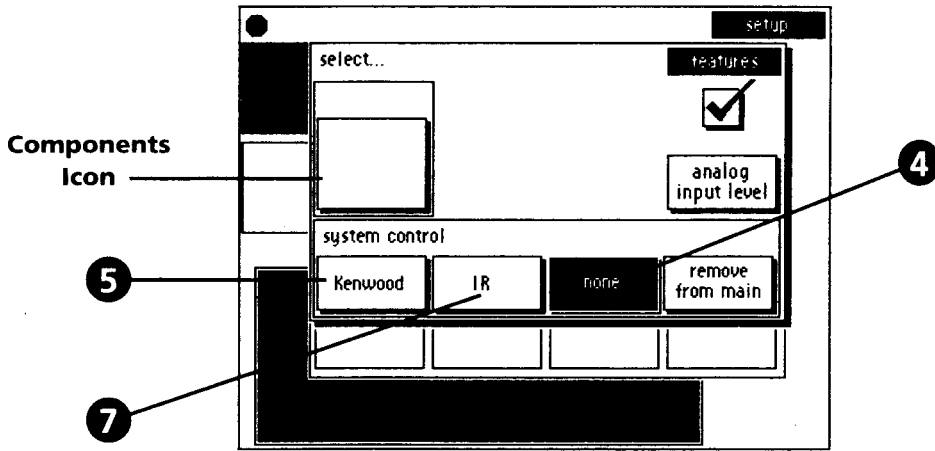
- 1 To get to the Select Component screen, touch these buttons:



- 2 Touch the icon for the component you want to set up.
(For example, to set up a VCR connected to the Video 1 input, touch the VIDEO 1 button.)



The TouchPanel displays the Features screen.



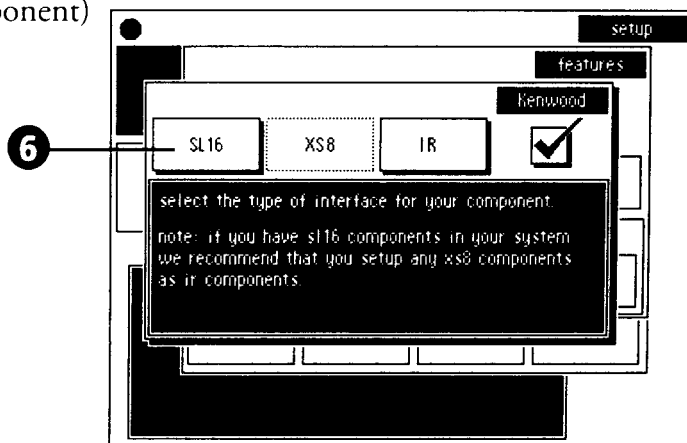
- 3 Select the system control mode following the instructions in steps 4, 5 and 6. If a button's outline is dotted, you cannot select it for that particular component.
- 4 If your component cannot be controlled remotely, select NONE. Then, look for the component in the sections below and continue with any additional steps there. (You're done with this section for that component.)

- 5 If you have a Kenwood SL16 component connected with system control cables, select KENWOOD. The TouchPanel displays the KENWOOD screen.

- 6 Touch the SL16 button, then look for the component in the sections below and perform any additional steps for that component. (You're done with this section for that component.)

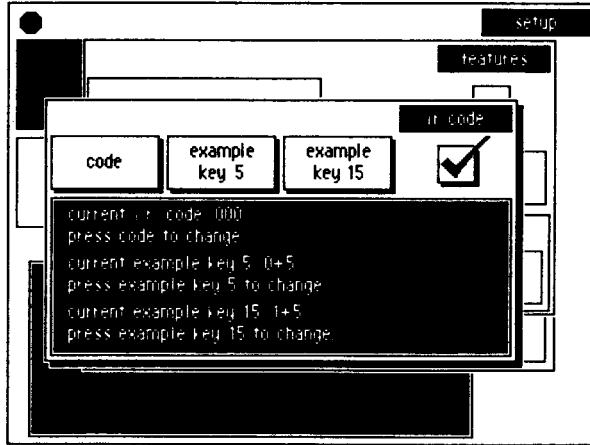
NOTE: If you're setting-up a Kenwood XS8 cassette deck using System Control cables (see the note on page 31), touch the XS8 button, then look for that component in the sections below and perform any additional steps for that component.

- 7 If your component can be remotely controlled, select IR. Then continue with the 'Setting up IR codes' section below. (You're done with this section for that component)

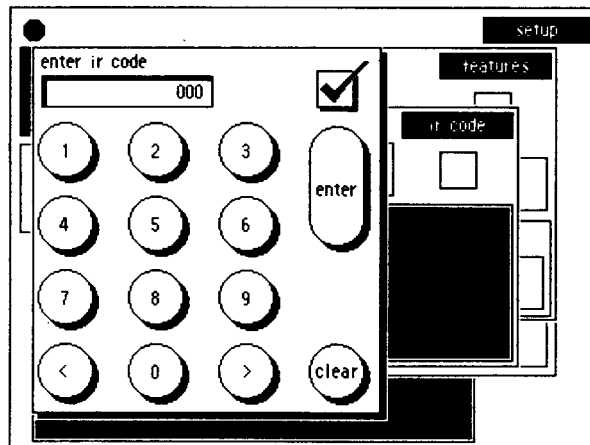


Setting up IR codes

- 1 After you select IR in the 'Basic set up' section above, the TouchPanel displays the IR Code screen.

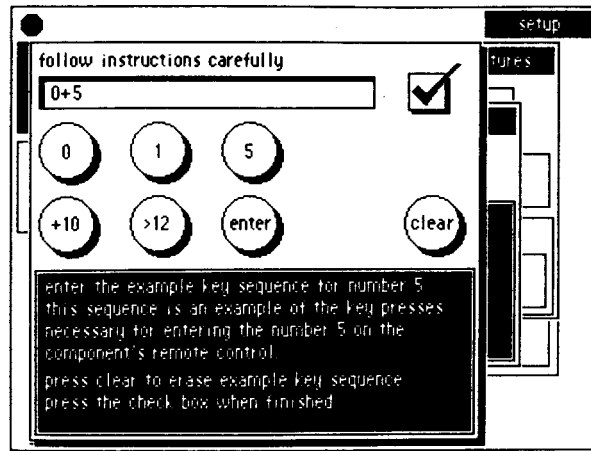


- 2 Touch the CODE button. The TouchPanel displays the calculator pad.

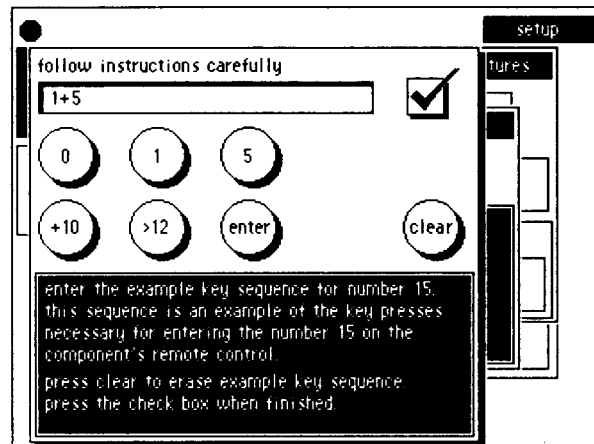


- 3 Look-up the 3-digit code number for your component on the list starting on page 70 and enter it with the calculator pad. Then touch the ENTER button.
 - 4 Touch the CHECK-MARK to save the IR code.
- If you're setting up a cassette deck, skip to step 14 below.

- 5 Touch the EXAMPLE KEY 5 button. The TouchPanel displays the Example 5 screen.

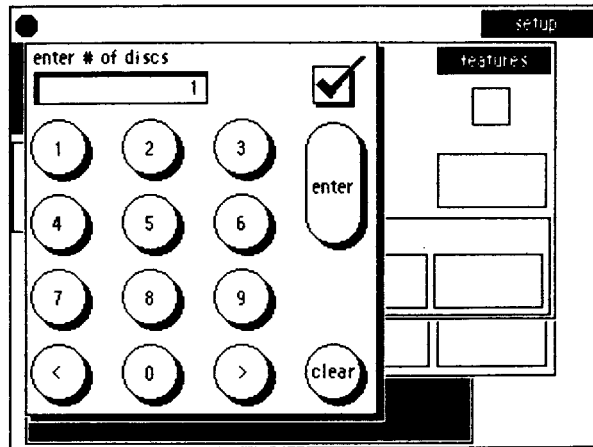


- 6 Touch the CLEAR button.
- 7 Using the buttons on the TouchPanel screen, press the button sequence you would press on your component's remote to enter the number 5. This may be "5" alone, or "0" plus "5" depending on your component. If you make a mistake, touch the clear button and try again. Then touch the CHECK-MARK.
- 8 Touch the EXAMPLE KEY 15 button. The TouchPanel displays the Example 15 screen.



- 9 Touch the CLEAR button.

- 10 Using the buttons on the TouchPanel screen, press the button sequence you would press on your component's remote to enter the number 15. This may be "1" and "5" or "+10" and "5", depending on your component. If you make a mistake, touch the CLEAR button and try again. Then touch the CHECK-MARK.



- 11 Touch the CHECK-MARK on the IR Code screen to return to the Setup screen.
- 12 Look for the component in the sections below and perform any additional steps for that component.

Setting up a CD player:

- 1 Finish the 'Basic setup procedures' section above.
- 2 Touch the # OF DISCS button. The TouchPanel displays the calculator pad.
- 3 Enter your CD player's disc capacity, then touch the ENTER button.
- 4 Touch the CHECK-MARK to save the number of discs, and return to the setup screen. (No change is made if you use the CHECK-MARK before the ENTER button.)

See *Using your Stage 3 Controller* to adjust the analog input level.

Setting-up a Cassette Deck

You can control 2 cassette decks with the Stage 3 Controller. Although the setup for both is almost identical, you'll need to set up each one individually.

- 1 Finish the 'Basic setup procedures' section above.
NOTE: If you're setting-up a Kenwood XS8 cassette deck connected using System Control cables (see the note on page 31), touch the XS8 button, then look for that component in the sections below and perform any additional steps for that component.
- 2 If the deck has a single well, touch the SINGLE button. If it has dual wells, touch the DUAL button.
- 3 If you want to configure the Tape-2 input as a tape monitor loop (for use with a 3-head deck, for example), touch the ENABLE TAPE-2 MONITOR button.
- 4 Touch the CHECK-MARK to save the settings and return to the Component setup screen.

See *Using your Stage 3 Controller* to adjust the analog input level.

Setting-up a laser disc player

If you have already completed the Basic Set Up Procedures section above, there are no additional steps. Touch the CHECK-MARK to return to the Component setup screen.

See *Using your Stage 3 Controller* to adjust the analog input level.

Setting-up a mini disc player

If you have already completed the Basic setup procedures section above, there are no additional steps. Touch the CHECK-MARK to return to the Component setup screen.

See *Using your Stage 3 Controller* to adjust the analog input level.

Setting-up a VCR

If you have already completed the Basic setup procedures section above, there are no additional steps. Touch the CHECK-MARK to return to the Component setup screen.

You can control up to 3 VCRs with the Stage 3 Controller. Although the setup for all 3 is identical, be sure you set up each one individually.

See *Using your Stage 3 Controller* to adjust the analog input level.

Setting-up a TV

If you have already completed the Basic Set Up Procedures section above, there are no additional steps. Touch the CHECK-MARK to return to the Component setup screen.

See *Using your Stage 3 Controller* to adjust the analog input level.

Setting-up a satellite receiver or cable TV tuner

If you have already completed the Basic setup procedures section above, there are no additional steps. Touch the CHECK-MARK to return to the Component setup screen.

The Stage 3 Controller will recognize whether the IR code you entered is for a satellite tuner or a cable TV tuner and will automatically configure itself for whichever you are using.

See *Using your Stage 3 Controller* to adjust the analog input level.

Setting-up a turntable

No further setup is required. Touch the CHECK-MARK to return to the Component setup screen.

See *Using your Stage 3 Controller* to adjust the analog input level.



In this step, you will tell the Stage 3 Controller what speakers you are using in your system and what sizes they are. This allows the Controller to send specific frequencies to the correct speakers. You will also adjust the Stage 3 Controller to prevent your speakers from being overdriven.

Speaker setup also lets you balance the levels of all the speakers in your system and adjust for the distance between each speaker and your listening position. Once the speaker levels in your system are all properly balanced and the distances adjusted for, the system will reproduce a much more convincing and realistic surround sound environment.

About default settings

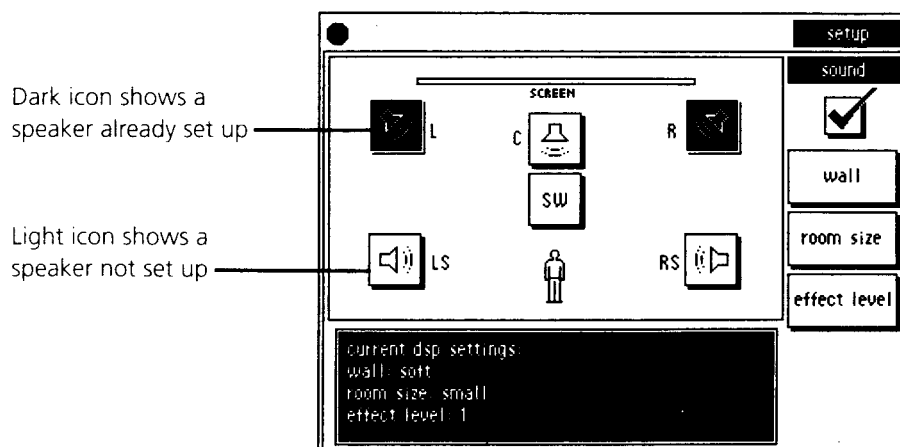
The settings you make here will be your system's default settings. You can always change the settings while you're listening to the system (and save those settings as a system preset), but whenever your system is powered-down, the settings will return to those you establish here.

Setting up the front speakers

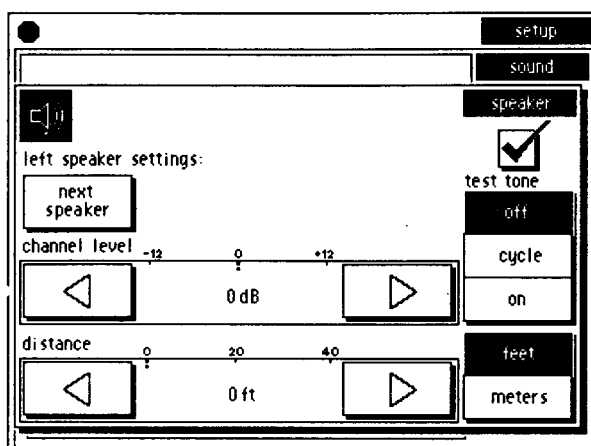
- 1 To get to the sound setup screen, touch these buttons:



The TouchPanel displays the Sound screen.



- 2 Touch the L speaker icon. The TouchPanel displays the Speaker screen.

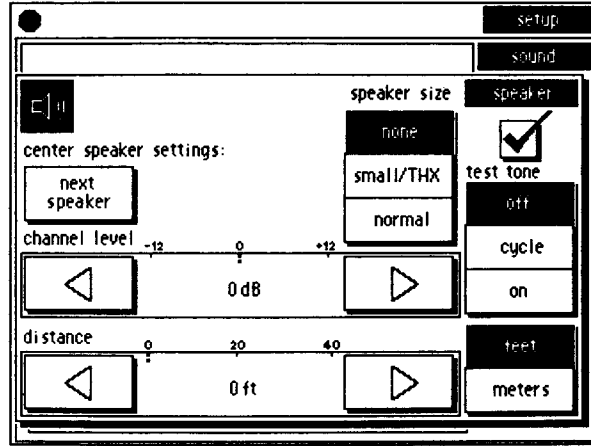


- 3 Measure the distance (in a straight line) between the left speaker and your listening position, and enter this distance with the DISTANCE Arrow buttons. You change the distance by 1 foot each time you touch an Arrow key.
- 4 Touch the CHECK-MARK to return to the Sound screen.
- 5 Repeat these steps for the right speaker.

Setting up the center and surround speakers

You must set the center and surround speaker settings even if you don't have these speakers in your system.

- 1 Touch the C speaker icon on the sound screen. The TouchPanel displays the Speaker screen.



- 2 If you do not have a center speaker, touch the NONE button. If your center speaker is small, and not capable of reproducing deep bass, touch the SMALL button. If your center speaker is large, and capable of reproducing deep bass, touch the NORMAL button.
- 3 Measure the distance (in a straight line) between the center speaker and your listening position, and enter this distance with the DISTANCE Arrow buttons. You change the distance by 1 foot each time you touch an Arrow key.
- 4 Touch the CHECK-MARK to return to the Sound screen.
- 5 Repeat these steps for the left and right surround speakers.

Setting up the subwoofer

You must set the subwoofer settings even if you don't have one in your system.

- 1 Touch the SW speaker icon on the Sound screen.
- 2 If you do not have a subwoofer, touch the NONE button. Then touch the CHECK-MARK and skip ahead to the 'Balancing the speaker levels' section (Step 12).
- 3 If you have a subwoofer, touch the NORMAL button.
- 4 Measure the distance (in a straight line) between the subwoofer speaker and your listening position, and enter this distance with the DISTANCE Arrow buttons. You change the distance by 1 foot each time you touch an Arrow key.
- 5 Touch the CHECK-MARK to return to the Sound screen.

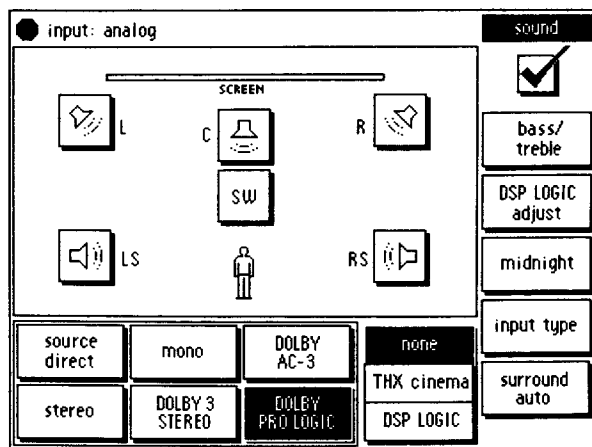
Setting the bass limiter

Film soundtracks and other programs recorded in Dolby Digital (AC-3) can contain enough bass energy to damage some speakers. The Stage 3 Controller has a bass limiter circuit that keeps the output to your speaker within safe limits.

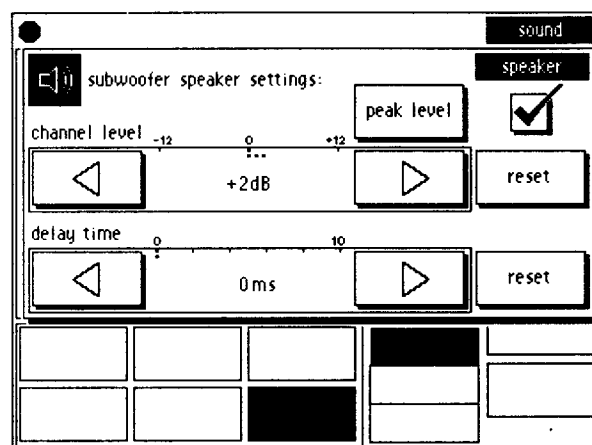
- 1 To get to the Sound screen (not the same as in the previous steps), touch this button:



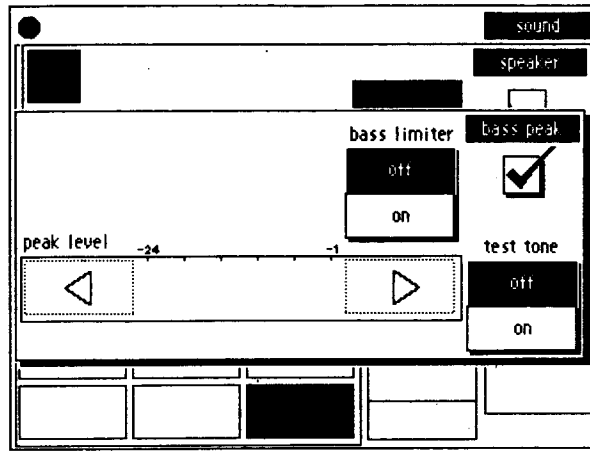
The TouchPanel displays the main Sound screen:



- 2 If your system has a subwoofer, touch the sw speaker icon. If it does not have a subwoofer, touch either the L or R speaker icon. The TouchPanel displays the Speaker screen.



- 3 Touch the PEAK LEVEL button. The TouchPanel displays the Bass Peak screen.



- 4 Touch the TEST TONE ON button. You will hear test noise. (The Controller's volume automatically changes to 0 dB when the test noise is on.)
- 5 Use the right PEAK LEVEL Arrow button to slowly increase the speaker volume until you begin to hear audible distress from the woofer (distortion, clicking, "bottoming"). Leave the peak level volume at this level.
- 6 Touch the BASS LIMITER ON button.
- 7 Touch the CHECK-MARK to return to the Speaker screen, then touch the CHECK-MARK on that screen to return to the Sound screen. The bass limiter has been automatically adjusted to prevent your speakers from being overdriven.



Balancing the speaker sound levels

step 12

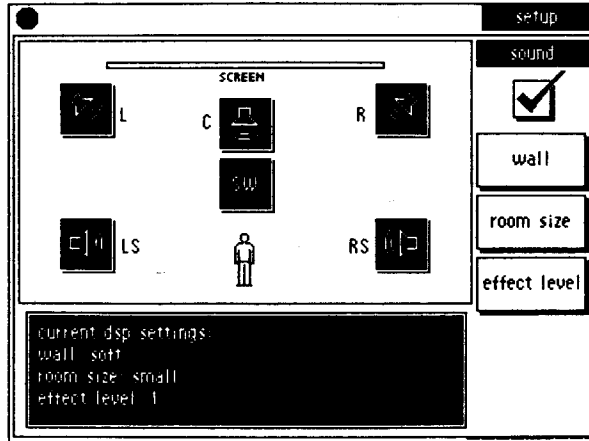
You can balance the speakers by ear, or you can use a sound level meter. Using a sound level meter lets you balance your system more accurately, and lets you set the reference playback level. (Once the reference level is set, carefully-transferred films will play at the volume levels intended by their makers when the Stage 3 Controller's volume is set to 0dB. You can, of course, still set the volume level to your own preferences). Once you have balanced the speaker levels, you can also make adjustments while listening to music or watching movies. (See *Using your Stage 3 Controller* for instructions).

Balancing the speaker levels by ear

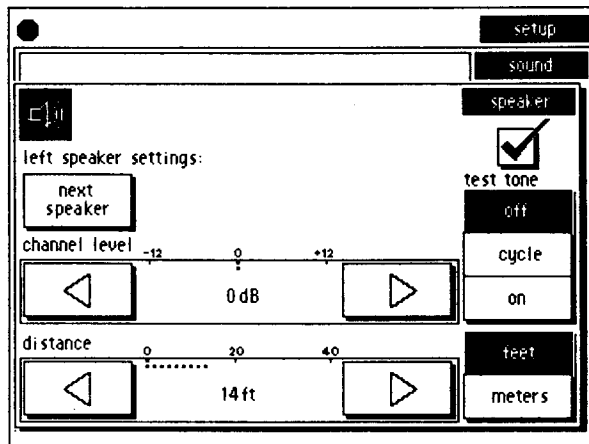
- 1 To get to the Sound screen, touch these buttons:



The TouchPanel displays the Sound screen.



- 2 Touch the L speaker icon. The TouchPanel displays the Speaker screen.



- 3 Touch the TEST TONE CYCLE button, and listen as the test noise cycles through each speaker in your system. (The Controller's volume automatically changes to 0dB when the test noise is on. If the noise is uncomfortably loud, use the TouchPanel VOLUME buttons to lower the volume to -6dB). Compare the levels of each channel.
- 4 If the left speaker is noticeably louder or quieter than the other channels, use the CHANNEL LEVEL Arrow buttons to match its level to the rest of the test noise cycle.

(If you want to hear the test noise play only through the left speaker, touch the TEST TONE ON button). You can adjust the speaker's level by 1 dB each time you touch a CHANNEL LEVEL Arrow button.

- 5 Touch the NEXT SPEAKER button to adjust the next speaker. and repeat steps 2–4 for each speaker in your system.
- 6 After you are done balancing each of the speakers, touch the CHECK-MARK to save the settings.

About balancing the subwoofer level

The test noise for the subwoofer is filtered, and doesn't sound as loud to the human ear as it really is. (It's designed to be used with a sound level meter to balance the channel levels). Therefore, to balance the subwoofer by ear, it is best to use familiar music or film soundtracks. This makes it easier to tell if the subwoofer is at the correct volume.

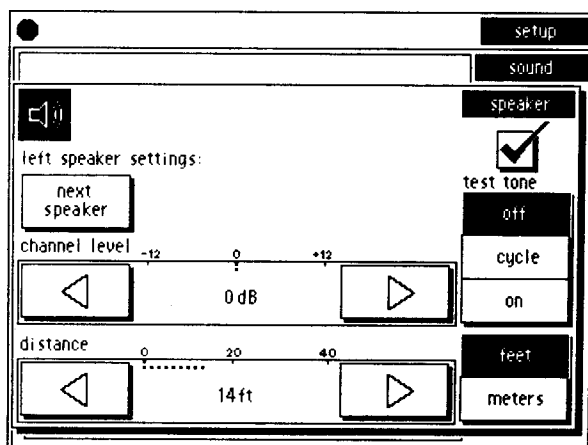
Balancing the speaker levels with a sound level meter

You can use a sound level meter to more accurately balance your system and set the reference playback level. These instructions assume you are using a Radio Shack SPL meter, model 33-2050.

- 1 To get to the Sound screen, touch these buttons:



- 2 Touch the L speaker icon. The TouchPanel displays the Speaker screen:



- 3** Eliminate as many external noise sources as possible.
- 4** Touch the TEST TONE ON button. (The Controller's master volume will automatically change to 0dB. Do not change the master volume setting until you have completed the speaker balancing procedure.)
- 5** On the SPL meter, choose 70dB on the large dial, and set the meter controls to 'C' and 'Slow' .
- 6** Sit at the main listening position. Hold the meter at arm's length, and at ear height. Use the channel level buttons to adjust the selected speaker's level so that the needle on the meter points between 4 and 6 (75 dB). You can adjust the speaker's level by 1 dB each time you touch a CHANNEL LEVEL Arrow button.
- 7** Touch the NEXT SPEAKER button to adjust the next speaker and repeat these steps for each speaker in your system.
- 8** After you are done balancing each of the speakers, touch the CHECK-MARK to save the settings.

Setting DSP Logic default values

step 13

DSP Logic combines Dolby Digital (AC-3) or Dolby Surround Pro Logic with Kenwood Digital Signal Processing. Using it, you can simulate the sound of different rooms, from an intimate club to a large theater. We recommend setting these default values while you are playing familiar music or movies, with DSP Logic activated, so you can hear how the adjustments affect the sound.

Experiment to create the surround sound that best suits the music and films you play.

1 To get to the Sound screen, touch these buttons:



Changes the simulated wall texture, or resets it to its default value.

Changes the simulated room size, or resets it to its default value.

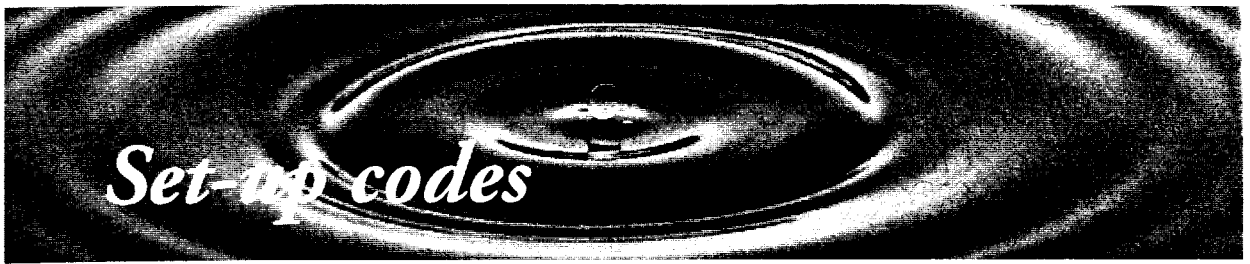
Changes the amount of DSP effect, or resets it to its default value.

Current DSP Logic settings

current dsp settings:
wall: hard
room size: medium
effect level: 2

The screenshot shows a 'sound' settings screen with a 'SCREEN' visualization at the top. The visualization includes speakers labeled L, C, R, LS, and RS, and a central figure. On the right side, there are three settings: 'wall' (with a checked box), 'room size', and 'effect level'. A text box at the bottom left displays the current settings: 'current dsp settings: wall: hard, room size: medium, effect level: 2'. Three callout lines point from the text boxes to the 'wall', 'room size', and 'effect level' settings.

- 2 Touch the ROOM SIZE button. You can select from 3 different room sizes. The sizes refer to public spaces, so SMALL might be used to simulate a more intimate club, while LARGE could be used to simulate a large theater.
- 3 Touch the wall button. You can select from 3 different wall textures. SOFT makes the simulated walls absorb more sound (such as in a room full of people), while hard makes them reflect more sound (like a theater that's nearly empty).
- 4 Touch the EFFECT LEVEL button. You can change the effect level from 1 (very little effect) to 5 (maximum effect).
- 5 When you are done, touch the CHECK-MARK to return to the Setup screen.



Use these codes with the instructions for setting up components, starting on page 49.

VCR

Maker	Set-up code
Action	332
Adventura	015
Aiko	293
Aiwa	015
Akai	056, 064, 068, 076, 121, 171, 257
American High	050
Asha	255
Audiovox	052
Beaumarck	255
Bell & Howell	119
Broksonic	136, 199, 226
Calix	052
Canon	050, 182
Capehart	035
Carver	096
CCE	087, 293
Citizen	052, 293
Colt	087
Craig	062, 255, 286
Curtis Mathes	050
Cybernex	066, 255
Daewoo	035, 060, 061, 102, 293
Daytron	035
Dynatech	015
Electrohome	052
Electroponic	052
Emerex	047
Emerson	015, 017, 051, 052, 058, 076, 083, 103, 136, 199, 223, 224, 226, 227, 293, 309, 310, 376
Fisher	062, 069, 081, 119
Fuji	048, 050

Funai	015, 340
Garrard	015, 340
GE	050, 075, 080, 217
Go Video	247, 294
Goldstar	033, 052, 053
Goodmans	077, 087
Gradiente	015
Harley Davidson	015
Harmon-Kardon	053, 090
Harwood	083, 087
Headquarter	061
Hi-Q	062
Hitachi	015, 056, 057, 080, 120, 181
Jensen	056
JVC	023, 056, 082, 399
Kenwood	053, 056, 082, 399
KLH	087
Kodak	050, 052
Lloyd	015
Lloyd's	223
Logik	087
Luxor	121
LXI	052
Magnavox	050, 054, 096, 118, 125, 164
Magnin	255
Marantz	050, 096, 161
Marta	052
Matshushita	050
MEI	050
Memorex	015, 050, 052, 054, 061, 062, 063, 119, 255, 283, 314
MGA	058, 076
MGN Technology	255
Minolta	057, 120

Mitsubishi	058, 076, 082, 090, 188, 229, 257
Motorola	050, 063
MTC	015, 255
Multitech	015, 087
NAD	073
NEC	053, 055, 056, 065, 082, 097
Nikko	052
Noblex	255
Olympus	050, 241
Optimus	052, 063, 073, 119, 447
Optonica	077
Panasonic	050, 092, 177, 240, 241, 469
Penney	050, 052, 053, 055, 057, 069, 255
Pentax	057, 080, 120
Philco	050
Philips	050, 077, 096, 125
Pilot	052
Pioneer	073, 082
Portland	035
Protec	087
Pulsar	054, 066
Quarter	061
Quartz	061
Quasar	050, 092
Radio Shack	015, 052, 340
Radix	052
Randex	052
RCA	057, 075, 080, 092, 120, 121, 164, 217
Realistic	015, 050, 052, 061, 062, 063, 077, 081, 119, 255
Ricoh	049, 268
Runco	054
Saisho	160
Samsung	060, 066, 068, 255
Sanky	054, 263
Sansui	056, 082, 097, 286
Sanyo	061, 062, 119, 255, 283
Scott	058, 060, 136, 199, 225, 226, 227

Sears	050, 052, 057, 061, 062, 069, 072, 081, 119, 120
Sharp	063, 077
Shintom	087
Shogun	066, 255
Singer	087
Sony	026, 047, 048, 049, 050, 268
STS	057
Sunpak	268
Sylvania	015, 050, 058, 096, 118, 125
Symphonic	015, 340
Tatung	056
TEAC	015, 056
Technics	050, 177
Teknika	015, 050, 052, 067
Telefunken	202
TMK	051, 223, 255
Toshiba	058, 060, 072, 081, 225, 227
Totevision	052, 255
Unitech	255
Vector	060
Vector Research	053, 055
Video Concepts	055, 060, 076
Videosonic	255
Wards	015, 050, 057, 062, 063, 077, 087, 164, 227, 255
XR-1000	015, 050, 087
Yamaha	053
Zenith	048, 049, 054

Laser disc player

Maker	Set-up code
Aiwa	218
Carver	079, 209, 338
Denon	187
Disco Vision	038
Funai	218
Kenwood	251, 273
Magnavox	209, 232, 256
Marantz	079, 209
Mitsubishi	074

NAD	074
NEC	301
Panasonic	219, 245
Philips	079, 209
Pioneer	038, 074
Quasar	219
RCA	143, 366
Realistic	218
Samsung	338
Sega	038
Sharp	016
Sony	208, 216, 285
Thera Digital	209
Yamaha	232

TV

Maker	Set-up code
A-Mark	018
Abex	047
Admiral	108
Adventura	061
Aiko	107
Akai	045, 113
Akura	233
Alaron	231
Alba	233
Alleron	194, 198
Ambassador	192
Anam	019, 024, 083, 195
Anam National	070
AOC	018, 034, 045, 067, 152, 200
Archer	018
Asuka	233
Audiovox	018, 195
Basic Line	233
Belcor	034
Bell & Howell	031, 169
Blue Sky	233
Bradford	195
Brockwood	034
Broksonic	018
BTC	233
Bush	233
Candle	045, 061, 071, 201

Carver	069
CCE	232
Celebrity	015
Citizen	045, 054, 061, 071, 075, 107, 201, 295
Clairtone	200
Concerto	071
Contec	172, 173, 195, 200
Craig	195
Crown	054, 195
Curtis Mathes	045, 054, 075, 169, 430
CXC	195
Cybertron	233
Daewoo	034, 054, 106, 107, 466
Dainichi	233
Daytron	034
Decca	087
Dumont	032, 034
Dynatech	064
Electrobrand	015, 200
Electrohome	396, 404, 424
Elite	233
Emerson	034, 053, 054, 169, 173, 192, 193, 194, 195, 196, 197, 198, 200, 251, 285, 295, 297, 478
Envision	045
Fidelity	097
Finlux	087
Fisher	169, 174
Fujitsu	087, 194
Funai	194, 195
Futuretech	195
GE	036, 042, 044, 062, 066, 070, 150, 189, 193, 297
GEC	087
Gibraltar	032, 034, 045
Genexxa	233
Goldstar	016, 017, 034, 045, 047, 054, 071, 121, 193, 424
Goodmans	087
GPM	233
Granada	087
Grunpy	194, 195
Hallmark	193
Harman Kardon	093

Harvard	083, 195
Hinari	233
Hitachi	047, 053, 071, 110, 112, 160, 166, 188, 242, 424
Ima	195
Infinity	069
Inno Hit	087
Isukai	233
Janeil	061
JBL	069
JCB	015
Jensen	065
JVC	051, 068, 197
Kaisui	233
Kamp	231
Kawasho	173, 231
Kaypani	067
Kenwood	034, 045
Kloss	039, 061, 093
KMC	121
KTV	045, 054, 195, 198, 200, 232, 295
Leyco	087
Logik	031
Luxman	071
LXI	062, 069, 163, 169, 171, 193
Magnavox	045, 051, 069, 111, 201, 245
Majestic	030, 031
Marantz	045, 069
Matsui	087, 232
Megatron	018, 160, 193
MEI	200
Memorex	031, 071, 121, 165, 169, 193
MGA	034, 045, 165, 170, 193
Midland	032, 047, 054, 062, 066, 150
Minutz	036
Mitsubishi	034, 113, 165, 170, 193, 256
Motorola	070, 108
MTC	034, 045, 064, 071, 075, 106, 200
Multitech	064, 195, 232
NAD	171, 181, 193
NEC	034, 045, 051, 071, 185

Nikkai	087, 233
Nikko	045, 107, 193
NTC	107
Onwa	195
Optimus	169, 181
Optonica	108, 180
Orion	251
Osaki	087, 233
Oso	233
Osaume	087
Panasonic	066, 069, 070, 177, 265, 353
Penney	017, 018, 033, 034, 036, 042, 045, 047, 054, 062, 066, 075, 125, 164, 171, 193
Philco	034, 045, 069, 111
Philips	052, 069
Pilot	034, 045, 054
Pioneer	053, 181, 187
Portland	034, 054, 107
Price Club	075
Prism	066
Proscan	062
Proton	018, 046, 067, 193
Pulsar	032
Quasar	066, 070, 234, 265
Radio Shack	034, 047, 054, 180, 195, 424
RCA	033, 034, 044, 053, 062, 105, 150, 189, 293
Realistic	034, 045, 047, 054, 071, 169, 180, 193, 195
Rhapsody	198, 200, 231
Roadstar	233
Runco	032, 045
Sampo	045, 047, 054, 067, 115, 125
Samsung	034, 045, 047, 054, 071, 075, 125, 193
Samsux	054
Sanyo	087, 161, 169, 174
Schneider	233
Scimitsu	034
Scotch	193
Scott	034, 193, 194, 195, 251
Sears	030, 062, 069, 071, 161, 163, 164, 169, 171, 174, 183, 186, 193, 194

Sharp	054, 108, 168, 172, 180
Shogun	034
Signature	031
Simpson	201, 202
Sony	015, 026, 095, 126, 288
Soundesign	193, 194, 195, 201
Spectricon	018, 152
Squareview	186
SSS	034, 195
Standard	233
Starlite	195
Supre-Macy	061
Supreme	015
Susumu	233
Sylvania	045, 069, 080, 111, 396
Symphonic	186
Tandy	087, 108, 233
Tatung	018, 064, 070, 087
Technics	066, 265
Techwood	066, 071
Teknika	031, 034, 054, 069, 071, 075, 107, 165, 194, 195, 201, 337
Tensai	233
Tera	046
Thorn	087
TMK	071, 192, 193
Toshiba	051, 075, 164, 169, 171
Tosonic	200
Totevision	054
Trical	172
Ultra	406
Universal	042
Vector Research	045
Victor	068
Video Concepts	113
Vidikron	069, 257
Vidtech	034, 193
Viking	061
Wards	031, 034, 035, 036, 042, 043, 044, 045, 069, 071, 095, 111, 126, 180, 189, 193, 194
Yamaha	034, 045
Zenith	031, 032
Zonda	018

Cable box

Maker	Set-up code
ABC	016, 018, 022, 023, 026, 028, 032, 062
Antronix	037, 222
Archer	037, 054, 168, 222
Belcor	071
Cable Star	071
Cabletenna	037
Cableview	037
Century	168
Citizen	168
Colour Voice	040, 046
Comband	247, 248
Comtronics	055, 075
Contec	034
Dae Ryung	023
Eastern	017
Electricord	093
Focus	415
Garrard	168
GC Electronics	071, 222
GE	247, 248
Gemini	030, 072, 085, 257
General Instrument	026, 291, 491
Goldstar	055, 159
Hamlin	024, 035, 049, 274, 288
Hitachi	026
Hytex	022
Jasco	168
Jerrold	018, 026, 027, 029, 030, 039, 062, 113, 291, 491
Linsay	455
Macom	048
Magnavox	042
Memorex	015
Movie Time	078, 093, 171, 218
Northcoast	329
NSC	078, 085, 171, 218
Oak	022, 034, 263
Panasonic	015, 036, 122
Panther	652
Paragon	015
Philips	040, 042, 043, 044, 045, 046, 168, 257, 305

Pioneer	038, 159, 275, 548
Popular Mechanics	415
Pulsar	015
RCA	036
Realistic	222
Regal	035, 274, 288, 294
Regency	017
Rembrandt	026, 085
RK	321
Runco	015
Samsung	055, 159
Scientific Atlanta	021, 023, 032, 292, 492
Seam	525
Signal	030, 055
Signature	026
SL Marx	055
Sprucer	036, 322
Standard Components	111, 170
Starcom	018, 030, 062, 113
Stargate	030, 055
Starquest	030
Sylvania	016
Tandy	273
Tatung	112
Teknika	161
Telecaption	236
Televue	055
Texscan	016, 111
Timeless	433
Tocom	027, 028, 074
Toshiba	015
Tusa	030
TV86	078
Uniden	240
Unika	037, 168, 222
United Artists	022
United Cable	018
Universal	037, 054, 071, 092, 093, 168, 206, 222, 337
Videoway	265
Vidtech	259
Viewstar	042, 075, 078, 126, 226, 273, 304
Zenith	015, 069, 540
Zentek	415

Satellite receiver

Maker	Set-up code
Amplica	087
Amway	058, 090
Birdview	060, 094
BSR	110
Cable Innovations	569
Capetronic	110
Century	553
Channel Master	033, 227
Chaparral	068, 224
Citoh	179
Conifer	019
Connexions	411
Curtis Mathes	076, 087
DNT	411
Drake	033, 077, 079, 081, 164, 165, 260
DX Antenna	056
Echostar	115, 163, 174, 185, 233, 284, 295, 327, 411, 469
Equus	196
Fuba	411
Fujitsu	201, 251
General Instrument	053, 065, 376, 569
Gould	070
Homecable	253
HYTEK	110
Intersat	058
IQ	225
IQ Prism	225
Janeil	167
Jerrold	051, 376, 642
Kenwood	279, 371
Macom	033, 065, 076
Memorex	284
NEC	117
Norsat	019
Panasonic	167
Philips	215
Pico	090
Primestar	376, 642
Prosat	173
Radio Shack	569

Radix	411
Ramsey	090
RCA	581
Realistic	066, 067
Salora	197
Scientific Atlanta	249, 370
Seemann	411
Sony	654
Star Trak	195, 436, 562
Starcast	057
Strong	436
STS	056, 205, 225
SuperGuide	326
Toshiba	076, 097
Uniden	067, 089, 091, 253, 311, 385, 569
Wisi	411
Zenith	076, 079

CD player

Maker	Set-up code
ADC	033
Adcom	170, 249
ADS	258
Aiwa	027, 139, 172
Akai	171
Audio Alchemy	209
Audio Technica	185
BSR	209, 260
California Audio Labs	044
Capetronic	252
Carrera	209, 409
Carver	172, 194
Craig	630
DAK	260
Denon	018, 049
DKK	015
Emerson	170, 179, 320, 484
Fisher	063, 103, 189, 194, 357
Garrard	295, 408
GE	024, 349
Genexxa	047, 179, 320
Goldstar	398, 409, 432
Harman Kardon	123, 188, 441

Hitachi	047, 170
Inkel	080
JVC	087, 670, 671, 673
Kenwood	043, 052, 063, 205, 352, 353, 354, 355, 538
Kodak	302
Krell	172
Kyocera	033
Luxman	108, 164, 281, 498
LXI	320
McIntosh	302
Magnavox	144, 172
Marantz	020, 044, 172, 195
MCS	044, 058
MGA	098
Mission	172
Mitsubishi	098, 113
NAD	034
Nakamichi	162
NEC	058, 249
Nikko	179, 185, 189
NSM	172
Onkyo	116, 117
Optimus	015, 047, 052, 102, 111, 190, 194, 209, 211, 320, 357, 441, 483
Panasonic	044, 382, 767
Parasound	209
Philips	172, 289, 302
Pioneer	047, 111, 259, 483
Proton	167, 172
QED	172
Quasar	044
RCA	068, 170, 194, 320
Realistic	170, 179, 190, 194, 195, 252
Rotel	172
SAE	172
Sansui	172, 217, 320
Sanyo	102, 194, 364
Scott	170, 179, 320
Sears	320
Sharp	052, 195
Sherwood	080, 129, 195, 211, 441
Shure	058
Signature	123

Sony	015, 200, 412, 505, 619, 620, 688, 742
Soundesign	160
STS	033
Symphonic	198
Teac	031, 060, 168, 189, 195, 198, 408
Technics	044, 318
Toshiba	034
Vector Research	209, 409, 432
Victor	087
Wards	123
Yamaha	051, 185, 202
Yorx	476
Zenith	630

Cassette deck

Maker	Set-up code
ADC	186
Aiwa	044, 212, 215
Akai	203, 204, 298
Carver	044
Denon	091
Fisher	089
Garrard	323, 324, 454
Harman Kardon	197
JVC	259, 288, 289
Kenwood	085, 086, 107, 198, 220, 248, 249, 266, 401
Kyocera	186
Luxman	106, 110
Magnavox	044
Marantz	024, 044
Memorex	116
Mitsubishi	298
NAD	159
Nakamichi	162
NEC	180
Onkyo	115, 151, 297
Optimus	042, 235, 352, 454
Panasonic	265
Philips	044
Pioneer	042, 114, 116, 235
Proton	043

RCA	041
Revox	205
Sansui	024, 044
Sherwood	352
Sony	185, 258, 306
Teac	304, 323, 324
Technics	244
Victor	288, 289
Wards	042
Yamaha	109, 112, 220

Mini Disc player

Maker	Set-up code
Kenwood	841
Sony	505



If not completely satisfied with this battery, call 1-800-551-2355 (9 am - 5 pm EST)
Duracell USA guarantees this battery against defects in material and workmanship.
Should any device be damaged by this battery due to such a defect, we will repair it at
our option if it is sent with the battery, postage prepaid to:

Duracell USA
Berkshire Park
Bethel CT 06801
Attn: Consumer Department

Duracell Inc
620 Newport Center Drive, Suite 540
Newport Beach, CA 92660
Tel: 800-331-3923
Fax: 714-720-0476